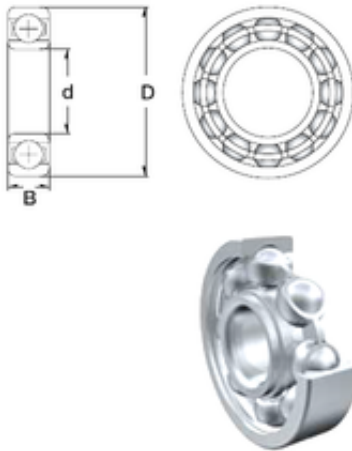




KRS Guide Wheel Bearing Co., Ltd



9 mm x 20 mm x 6 mm ZEN S699-2RS deep groove ball bearings

Bearing No. S699-2RS

Size	9x20x6 mm
Bore Diameter	9 mm
Outer Diameter	20 mm
Width	6 mm
d	9 mm
D	20 mm
B	6 mm
C	6 mm
Basic dynamic load rating (C)	2,467 kN
Basic static load rating (C0)	1,081 kN

S699-2RS Bearing 2D drawings and 3D CAD models