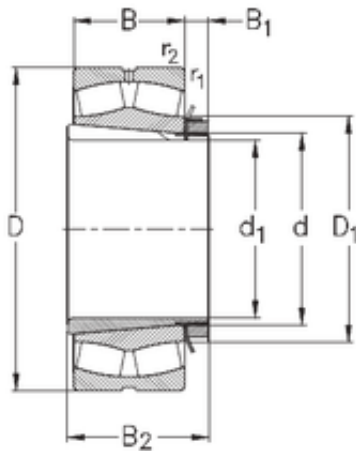




# KRS Guide Wheel Bearing Co., Ltd

## 90 mm x 160 mm x 40 mm NKE 22218-E-K-W33+H318 spherical roller bearings

Bearing No. 22218-E-K-W33+H318



22218-E-K-W33+H318 Bearing 2D drawings and 3D CAD models

Size	90x160x40 mm
Bore Diameter	90 mm
Outer Diameter	160 mm
Width	40 mm
d	90 mm
d1	80 mm
D	160 mm
B	40 mm
C	40 mm
r1 min.	2 mm
r2 min.	2 mm
B1	19 mm
B2	65 mm
D1	120 mm
Weight	4,48 Kg
Basic dynamic load rating (C)	308 kN
Basic static load rating (C0)	406 kN
Limiting speed	5300 r/min
Calculation factor (e)	0,23
Calculation factor (Y0)	2,8
Calculation factor (Y1)	2,9