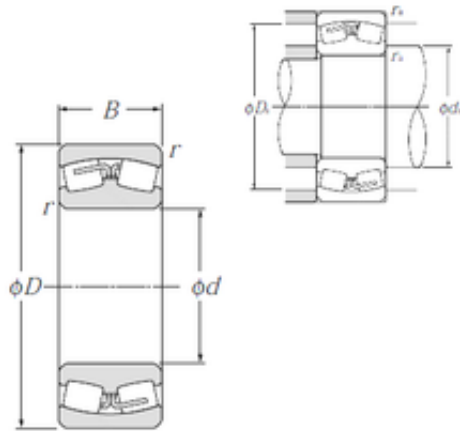




# KRS Guide Wheel Bearing Co., Ltd

90 mm x 160 mm x 40 mm NTN LH-22218E spherical roller bearings



Bearing No. LH-22218E

LH-22218E Bearing 2D drawings and 3D CAD models

Size	90x160x40 mm
Bore Diameter	90 mm
Outer Diameter	160 mm
Width	40 mm
d	90 mm
D	160 mm
B	40 mm
C	40 mm
r min.	2 mm
da min.	100 mm
da max	107,5 mm
Da min	144 mm
Da max.	150 mm
ra max.	2 mm
Weight	3,24 Kg
Basic dynamic load rating (C)	292 kN
Basic static load rating (C0)	385 kN
(Grease) Lubrication Speed	2 600 r/min
(Oil) Lubrication Speed	3 500 r/min
Calculation factor (e)	0,24
Calculation factor (Y0)	2,79
Calculation factor (Y1)	2,86