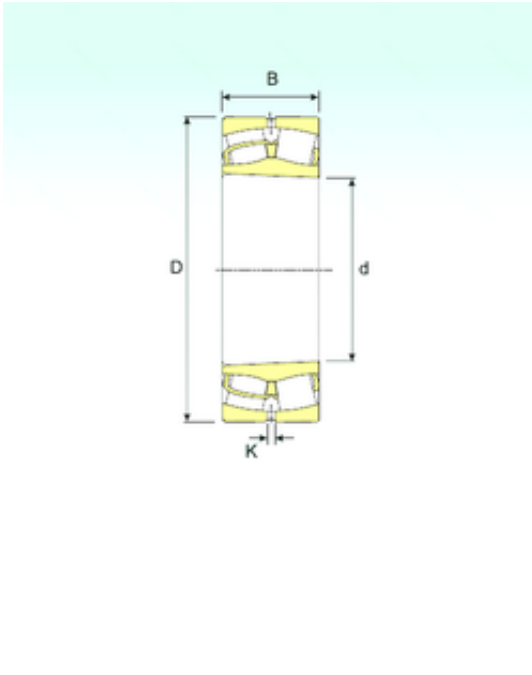




# KRS Guide Wheel Bearing Co., Ltd



22218 K Bearing 2D drawings and 3D CAD models

90 mm x 160 mm x 40 mm ISB 22218 K  
spherical roller bearings

Bearing No. 22218 K

Size	90x160x40 mm
Bore Diameter	90 mm
Outer Diameter	160 mm
Width	40 mm
d	90 mm
D	160 mm
B	40 mm
C	40 mm
K	3 mm
Weight	3,4 Kg
Basic dynamic load rating (C)	319 kN
Basic static load rating (C0)	368 kN
(Grease) Lubrication Speed	4054,5 r/min