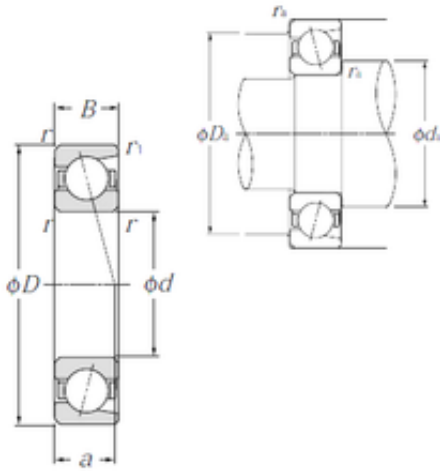




KRS Guide Wheel Bearing Co., Ltd

85 mm x 130 mm x 22 mm NTN 7017C angular contact ball bearings



Bearing No. 7017C

Size	85x130x22 mm
Bore Diameter	85 mm
Outer Diameter	130 mm
Width	22 mm
d	85 mm
D	130 mm
B	22 mm
C	22 mm
Angle (°)	15 °
a	25,5 mm
r min.	1,1 mm
r1 min.	0,6 mm
Weight	0,862 Kg
Basic dynamic load rating (C)	60 kN
Basic static load rating (C0)	58,5 kN
(Grease) Lubrication Speed	7 600 r/min
(Oil) Lubrication Speed	10 000 r/min

7017C Bearing 2D drawings and 3D CAD models