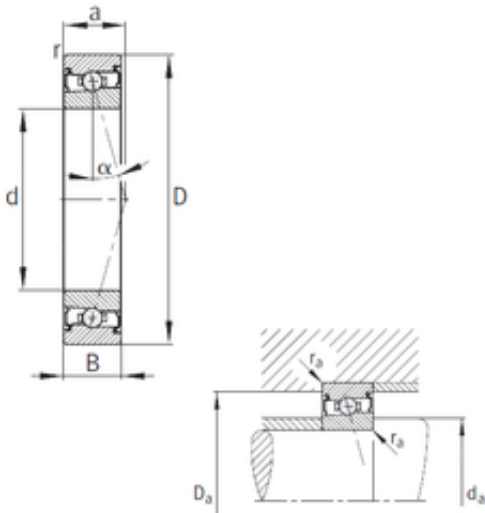




KRS Guide Wheel Bearing Co., Ltd

85 mm x 130 mm x 22 mm FAG HCS7017-C-T-P4S angular contact ball bearings

Bearing No. HCS7017-C-T-P4S



HCS7017-C-T-P4S Bearing 2D drawings and 3D CAD models

Size	85x130x22 mm
Bore Diameter	85 mm
Outer Diameter	130 mm
Width	22 mm
d	85 mm
D	130 mm
B	22 mm
C	22 mm
Angle (°)	15 °
a	25 mm
r min.	1,1 mm
Da	122 mm
ra max.	1 mm
da	93 mm
Weight	0,916 Kg
Basic dynamic load rating (C)	22 kN
Basic static load rating (C0)	25 kN
(Grease) Lubrication Speed	15 000 r/min