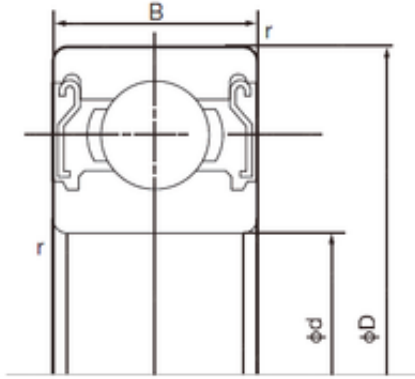




KRS Guide Wheel Bearing Co., Ltd

85 mm x 130 mm x 22 mm NACHI 6017ZZ deep groove ball bearings



Bearing No. 6017ZZ

6017ZZ Bearing 2D drawings and 3D CAD models

Size	85x130x22 mm
Bore Diameter	85 mm
Outer Diameter	130 mm
Width	22 mm
d	85 mm
D	130 mm
B	22 mm
C	22 mm
r min.	1.1 mm
da min.	91 mm
Da max.	124 mm
ra max.	1.1 mm
Weight	0.895 Kg
Basic dynamic load rating (C)	49,5 kN
Basic static load rating (C0)	43 kN
Bore Type	Cylindrical Bore
Enclosure	Double Shield
Configuration	Single Row
Bore Size	85 mm
Outside Diameter	130 mm
Width	22 mm
Fillet Radius/Chamfer	1.1 mm
Dynamic Load Rating	49,500 N
Static Load Rating	43,000 N
Limiting Speed - Grease	5,000 rpm



KRS Guide Wheel Bearing Co., Ltd

Factor fo	15.7
Radial Clearance	0.012 to 0.036 mm
da (min)	91 mm
Da (max)	124 mm
ra (max)	1.1 mm