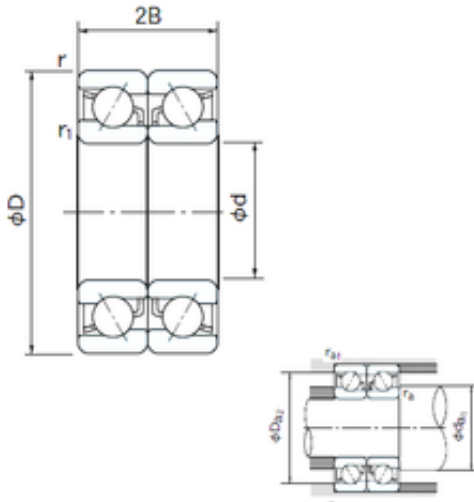




KRS Guide Wheel Bearing Co., Ltd

85 mm x 130 mm x 22 mm NACHI 7017DB angular contact ball bearings



Bearing No. 7017DB

7017DB Bearing 2D drawings and 3D CAD models

Size	85x130x22 mm
Bore Diameter	85 mm
Outer Diameter	130 mm
Width	22 mm
d	85 mm
D	130 mm
B	22 mm
C	22 mm
Angle (°)	30 °
a	20 mm
r min.	1.1 mm
r1 min.	0.6 mm
2B	44 mm
da min.	91 mm
Da max.	126 mm
ra max.	0.6 mm
Weight	0.960 Kg
Basic dynamic load rating (C)	88,5 kN
Basic static load rating (C0)	107 kN
(Grease) Lubrication Speed	3300 r/min
Bore Type	Cylindrical Bore
Enclosure	Open
Configuration	Duplex
Bore Size	85 mm
Outside Diameter	130 mm



KRS Guide Wheel Bearing Co., Ltd

Width	22 mm
Fillet Radius/Chamfer	1.1 mm
r1	0.6 mm
Dynamic Load Rating	88,500 N
Static Load Rating	107,000 N
Limiting Speed - Grease	3,300 rpm
Limiting Speed - Oil	4,400 rpm
da1 (min)	91 mm
da2 (min)	91 mm
Da1 (max)	124 mm
Da2 (max)	126 mm
ra (max)	1 mm
ra1 (max)	0.6 mm