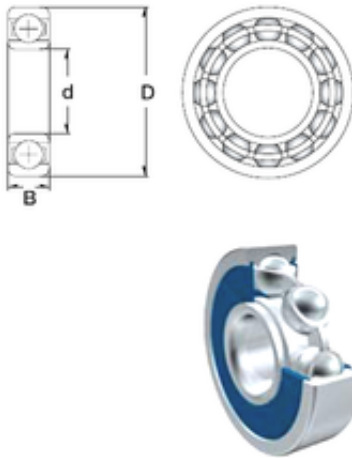




KRS Guide Wheel Bearing Co., Ltd



85 mm x 130 mm x 22 mm ZEN 6017-2RS deep groove ball bearings

Bearing No. 6017-2RS

Size	85x130x22 mm
Bore Diameter	85 mm
Outer Diameter	130 mm
Width	22 mm
d	85 mm
D	130 mm
B	22 mm
C	22 mm
Weight	0,94 Kg
Basic dynamic load rating (C)	49 kN
Basic static load rating (C0)	43 kN

6017-2RS Bearing 2D drawings and 3D CAD models