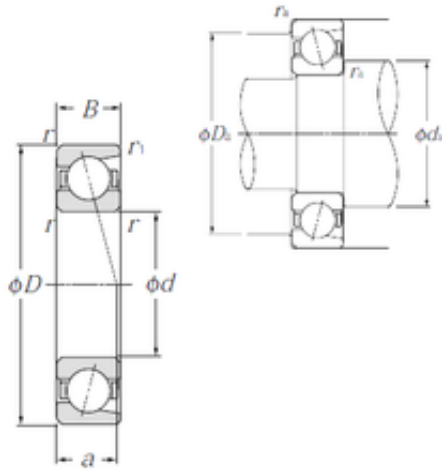




# KRS Guide Wheel Bearing Co., Ltd

## 85 mm x 130 mm x 22 mm NTN 7017 angular contact ball bearings



Bearing No. 7017

7017 Bearing 2D drawings and 3D CAD models

Size	85x130x22 mm
Bore Diameter	85 mm
Outer Diameter	130 mm
Width	22 mm
d	85 mm
D	130 mm
B	22 mm
C	22 mm
Angle ( ° )	25 °
a	42 mm
r min.	1,1 mm
r1 min.	0,6 mm
da min.	92 mm
db min	92 mm
ra max.	1 mm
Weight	1,04 Kg
Basic dynamic load rating (C)	54,5 kN
Basic static load rating (C0)	53,5 kN
(Grease) Lubrication Speed	5 100 r/min
Category	Angular Contact Ball Bearings
Inventory	0.0
Manufacturer Name	NTN
Minimum Buy Quantity	N/A
Weight / Kilogram	1.033



## KRS Guide Wheel Bearing Co., Ltd

EAN	4547359433647
Product Group	B00308
Enclosure	Open
Flush Ground	No
Rolling Element	Ball Bearing
Number of Rows of Balls	Single Row
Precision Class	ABEC 1   ISO P0
Maximum Capacity / Filling Slot	No
Snap Ring	No
Cage Material	Steel
Contact Angle	30 Degree
Internal Clearance	C0-Medium
Number of Bearings	1 (Single)
Inch - Metric	Metric
Long Description	85MM Bore; 130MM Outside Diameter; 22MM Width; Open; No Flush Ground; Ball Bearing; Single Row of Balls; ABEC 1   ISO P0; No Filling Slot; No Snap Ring; C0-Medium; Steel Cage; 30 Degree; 1 (Single)
Category	Angular Contact Ball Bearing
UNSPSC	31171531
Harmonized Tariff Code	8482.10.50.28
Noun	Bearing
Keyword String	Angular Contact
Manufacturer URL	<a href="http://www.ntnamerica.com">http://www.ntnamerica.com</a>
Manufacturer Item Number	7017
Bore	3.346 Inch   85 Millimeter
Width	0.866 Inch   22 Millimeter
Outside Diameter	5.118 Inch   130 Millimeter



## KRS Guide Wheel Bearing Co., Ltd

bore diameter:	85 mm
radial static load capacity:	53500 N
outside diameter:	130 mm
operating temperature range:	-40 to 120 ° C
overall width:	22 mm
cage material:	Brass
contact angle:	30 °
maximum rpm:	6900 rpm
row type & fill slot:	Single-Row Non-Fill Slot
finish/coating:	Uncoated
bore type:	Round
precision rating:	ISO Class 0
closure type:	Open
fillet radius:	1.1 mm
snap ring included:	Without Snap Ring
weight:	1.033 kg
bearing material:	High Carbon Chrome Steel
manufacturer product page:	<a href="#">Click here</a>
radial dynamic load capacity:	54500 N