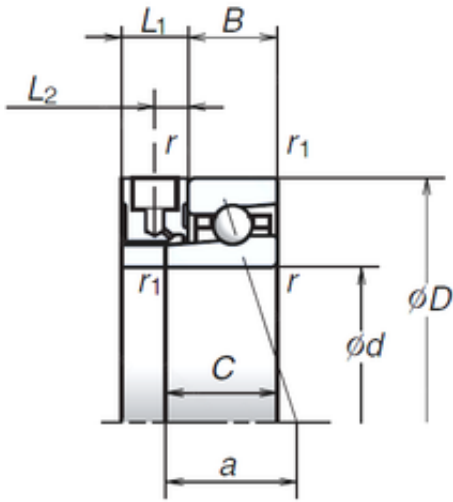




KRS Guide Wheel Bearing Co., Ltd



85 mm x 130 mm x 22 mm NSK 85BER10XE
angular contact ball bearings

Bearing No. 85BER10XE

Size	85x130x22 mm
Bore Diameter	85 mm
Outer Diameter	130 mm
Width	22 mm
d	85 mm
D	130 mm
B	22 mm
C	27 mm
L2	7,5 mm
Angle (°)	25 °
a	41,1 mm
r min.	1,1 mm
r1 min.	0,6 mm
L1	15 mm
Weight	0,988 Kg
Basic dynamic load rating (C)	25,6 kN
Basic static load rating (C0)	24,6 kN
(Grease) Lubrication Speed	28 000 r/min

85BER10XE Bearing 2D drawings and 3D CAD models