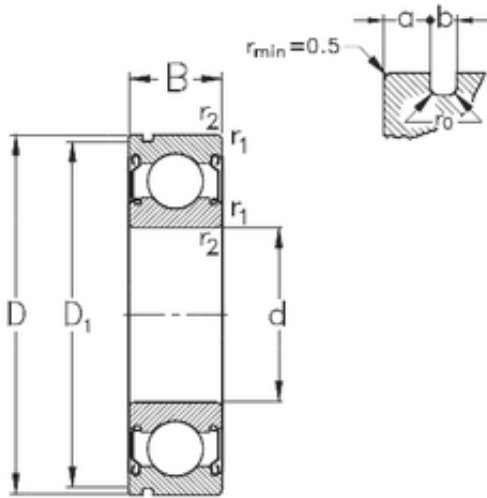




KRS Guide Wheel Bearing Co., Ltd



85 mm x 130 mm x 22 mm NKE 6017-2Z-N deep groove ball bearings

Bearing No. 6017-2Z-N

Size	85x130x22 mm
Bore Diameter	85 mm
Outer Diameter	130 mm
Width	22 mm
d	85 mm
D	130 mm
B	22 mm
C	22 mm
a	4,06 mm
b	3,1 mm
f	2,82 mm
r1 min.	1,1 mm
r2 min.	1,1 mm
D1	125,22 mm
D2	139,7 mm
Weight	0,895 Kg
Basic dynamic load rating (C)	53 kN
Basic static load rating (C0)	45,6 kN

6017-2Z-N Bearing 2D drawings and 3D CAD models