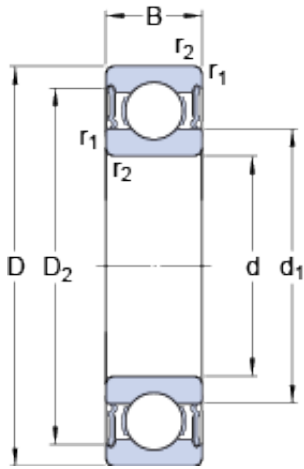




# KRS Guide Wheel Bearing Co., Ltd



50 mm x 72 mm x 12 mm SKF W 61910-2RS1  
deep groove ball bearings

Bearing No. W 61910-2RS1

W 61910-2RS1 Bearing 2D drawings and 3D CAD models

Size	72x50x12 mm
Bore Diameter	72 mm
Outer Diameter	50 mm
Width	12 mm
d	50 mm
D	72 mm
B	12 mm
d <sub>1</sub>	56.8 mm
D <sub>2</sub>	67.9 mm
r <sub>1,2</sub> - min.	0.6 mm
d <sub>a</sub> - min.	54 mm
d <sub>a</sub> - max.	56.5 mm
D <sub>a</sub> - max.	68.5 mm
r <sub>a</sub> - max.	0.6 mm
Basic dynamic load rating - C	12.5 kN
Basic static load rating - C <sub>0</sub>	11.6 kN
Fatigue load limit - P <sub>u</sub>	0.5 kN
Limiting speed	5600 r/min
Calculation factor - k <sub>r</sub>	0.025
Calculation factor - f <sub>0</sub>	16.1
d <sub>1</sub>	56.8 mm
D <sub>2</sub>	67.9 mm
r <sub>1,2</sub> min.	0.6 mm
d <sub>a</sub> min.	54 mm



## KRS Guide Wheel Bearing Co., Ltd

$d_a$ max.	56.5 mm
$D_a$ max.	68.5 mm
$r_a$ max.	0.6 mm
Basic dynamic load rating C	12.5 kN
Basic static load rating $C_0$	11.6 kN
Fatigue load limit $P_u$	0.5 kN
Calculation factor $k_r$	0.025
Calculation factor $f_0$	16.1
Mass bearing	0.13 kg