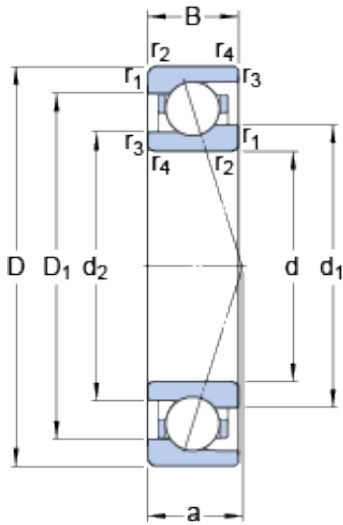




KRS Guide Wheel Bearing Co., Ltd



71910 CE/HCP4A Bearing 2D drawings and 3D CAD models

50 mm x 72 mm x 12 mm SKF 71910 CE/HCP4A angular contact ball bearings

Bearing No. 71910 CE/HCP4A

| | |
|---|-------------|
| Size | 72x50x12 mm |
| Bore Diameter | 72 mm |
| Outer Diameter | 50 mm |
| Width | 12 mm |
| d | 50 mm |
| D | 72 mm |
| B | 12 mm |
| d ₁ | 56.7 mm |
| d ₂ | 54.9 mm |
| D ₁ | 65.3 mm |
| r _{1,2} - min. | 0.6 mm |
| r _{3,4} - min. | 0.3 mm |
| a | 14.7 mm |
| d _a - min. | 53.2 mm |
| d _b - min. | 52 mm |
| D _a - max. | 68.8 mm |
| D _b - max. | 70 mm |
| r _a - max. | 0.6 mm |
| r _b - max. | 0.3 mm |
| d _n | 58.4 mm |
| Basic dynamic load rating - C | 12.7 kN |
| Basic static load rating - C ₀ | 8.6 kN |
| Fatigue load limit - P _u | 0.365 kN |
| Limiting speed for grease | 32000 r/min |



KRS Guide Wheel Bearing Co., Ltd

| | |
|------------------------------------|---------------------|
| Lubrication | |
| Limiting speed for oil lubrication | 48000 mm/min |
| Ball - D_w | 7.144 mm |
| Ball - z | 21 |
| G_{ref} | 1.7 cm ³ |
| Calculation factor - f_0 | 8.4 |
| Preload class A - G_A | 69 N |
| Preload class B - G_B | 210 N |
| Preload class C - G_C | 410 N |
| Calculation factor - f | 1.15 |
| Calculation factor - f | 1 |
| Calculation factor - f_{2A} | 1 |
| Calculation factor - f_{2B} | 1.05 |
| Calculation factor - f_{2C} | 1.09 |
| Calculation factor - f_{HC} | 1.01 |
| Preload class A | 42 N/micron |
| Preload class B | 68 N/micron |
| Preload class C | 92 N/micron |
| d_1 | 56.7 mm |
| d_2 | 54.9 mm |
| D_1 | 65.3 mm |
| $r_{1,2}$ min. | 0.6 mm |
| $r_{3,4}$ min. | 0.3 mm |
| d_a min. | 53.2 mm |
| d_b min. | 52 mm |
| D_a max. | 68.8 mm |
| D_b max. | 70 mm |
| r_a max. | 0.6 mm |
| r_b max. | 0.3 mm |
| d_n | 58.4 mm |



KRS Guide Wheel Bearing Co., Ltd

| | |
|--|---------------------|
| Basic dynamic load rating C | 12.7 kN |
| Basic static load rating C_0 | 8.65 kN |
| Fatigue load limit P_u | 0.365 kN |
| Attainable speed for grease lubrication | 32000 r/min |
| Attainable speed for oil-air lubrication | 48000 r/min |
| Ball diameter D_w | 7.144 mm |
| Number of balls z | 21 |
| Reference grease quantity G_{ref} | 1.7 cm ³ |
| Preload class A G_A | 69 N |
| Static axial stiffness, preload class A | 42 N/ μ m |
| Preload class B G_B | 210 N |
| Static axial stiffness, preload class B | 68 N/ μ m |
| Preload class C G_C | 410 N |
| Static axial stiffness, preload class C | 92 N/ μ m |
| Calculation factor f | 1.15 |
| Calculation factor f_1 | 1 |
| Calculation factor f_{2A} | 1 |
| Calculation factor f_{2B} | 1.05 |
| Calculation factor f_{2C} | 1.09 |
| Calculation factor f_{HC} | 1.01 |
| Calculation factor f_0 | 8.4 |
| Mass bearing | 0.11 kg |