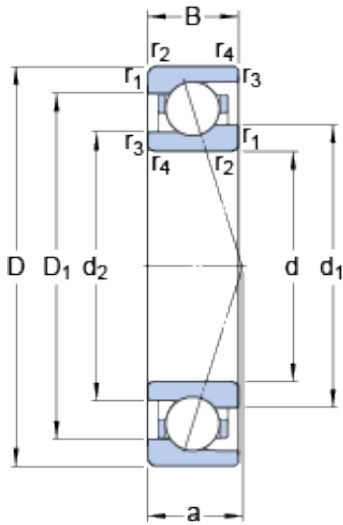




KRS Guide Wheel Bearing Co., Ltd



50 mm x 72 mm x 12 mm SKF 71910 ACE/P4A angular contact ball bearings

Bearing No. 71910 ACE/P4A

71910 ACE/P4A Bearing 2D drawings and 3D CAD models

| | |
|---|-------------|
| Size | 72x50x12 mm |
| Bore Diameter | 72 mm |
| Outer Diameter | 50 mm |
| Width | 12 mm |
| d | 50 mm |
| D | 72 mm |
| B | 12 mm |
| d ₁ | 56.7 mm |
| d ₂ | 54.9 mm |
| D ₁ | 65.3 mm |
| r _{1,2} - min. | 0.6 mm |
| r _{3,4} - min. | 0.3 mm |
| a | 21.2 mm |
| d _a - min. | 53.2 mm |
| d _b - min. | 52 mm |
| D _a - max. | 68.8 mm |
| D _b - max. | 70 mm |
| r _a - max. | 0.6 mm |
| r _b - max. | 0.3 mm |
| d _n | 58.4 mm |
| Basic dynamic load rating - C | 12.1 kN |
| Basic static load rating - C ₀ | 8.2 kN |
| Fatigue load limit - P _u | 0.345 kN |
| Limiting speed for grease | 23000 r/min |



KRS Guide Wheel Bearing Co., Ltd

| | |
|------------------------------------|-------------------------|
| Lubrication | |
| Limiting speed for oil lubrication | 36000 mm/min |
| Ball - D_w | 7.144 mm |
| Ball - z | 21 |
| G_{ref} | 1.7 cm ³ |
| Calculation factor - e | 0.68 |
| Calculation factor - Y_2 | 0.87 |
| Calculation factor - Y_0 | 0.38 |
| Calculation factor - X_2 | 0.41 |
| Calculation factor - Y_1 | 0.92 |
| Calculation factor - Y_2 | 1.41 |
| Calculation factor - Y_0 | 0.76 |
| Calculation factor - X_2 | 0.67 |
| Preload class A - G_A | 110 N |
| Preload class B - G_B | 330 N |
| Preload class C - G_C | 660 N |
| Calculation factor - f | 1.15 |
| Calculation factor - f_1 | 0.99 |
| Calculation factor - f_{2A} | 1 |
| Calculation factor - f_{2B} | 1.04 |
| Calculation factor - f_{2C} | 1.07 |
| Calculation factor - f_{HC} | 1 |
| Preload class A | 96 N/micron |
| Preload class B | 145 N/micron |
| Preload class C | 190 N/micron |
| Category | Precision Ball Bearings |
| Inventory | 0.0 |
| Manufacturer Name | SKF |
| Minimum Buy Quantity | N/A |



KRS Guide Wheel Bearing Co., Ltd

| | |
|------------------------|---|
| Weight / Kilogram | 0 |
| Product Group | B04270 |
| Enclosure | Open |
| Precision Class | ABEC 7 ISO P4 |
| Material - Ball | Steel |
| Number of Bearings | 1 (Single) |
| Contact Angle | 25 Degree |
| Preload | None |
| Raceway Style | 1 Rib Inner Ring and Outer Ring |
| Cage Material | Phenolic |
| Rolling Element | Ball Bearing |
| Flush Ground | No |
| Inch - Metric | Metric |
| Other Features | Single Row Angular Contact High Speed E Design |
| Long Description | 50MM Bore; 72MM Outside Diameter; 12MM Width; Open Enclosure; ABEC 7 ISO P4 Precision; Steel Ball Material; 1 (Single) Bearing; 25 Degree Contact Angle; Phenolic Cage Material; 1 Rib Inner Ring and |
| Category | Precision Ball Bearings |
| UNSPSC | 31171531 |
| Harmonized Tariff Code | 8482.10.50.28 |
| Noun | Bearing |
| Keyword String | Ball Angular Contact |
| Manufacturer URL | http://www.skf.com |
| Width | 0.472 Inch 12 Millimeter |
| Outside Diameter | 2.835 Inch 72 Millimeter |
| Bore | 1.969 Inch 50 Millimeter |
| d ₁ | 56.7 mm |



KRS Guide Wheel Bearing Co., Ltd

| | |
|--|---------------------|
| d_2 | 54.9 mm |
| D_1 | 65.3 mm |
| $r_{1,2}$ min. | 0.6 mm |
| $r_{3,4}$ min. | 0.3 mm |
| d_a min. | 53.2 mm |
| d_b min. | 52 mm |
| D_a max. | 68.8 mm |
| D_b max. | 70 mm |
| r_a max. | 0.6 mm |
| r_b max. | 0.3 mm |
| d_n | 58.4 mm |
| Basic dynamic load rating C | 12.1 kN |
| Basic static load rating C_0 | 8.15 kN |
| Fatigue load limit P_u | 0.345 kN |
| Attainable speed for grease lubrication | 23000 r/min |
| Attainable speed for oil-air lubrication | 36000 r/min |
| Ball diameter D_w | 7.144 mm |
| Number of balls z | 21 |
| Reference grease quantity G_{ref} | 1.7 cm ³ |
| Preload class A G_A | 110 N |
| Static axial stiffness, preload class A | 96 N/ μ m |
| Preload class B G_B | 330 N |
| Static axial stiffness, preload class B | 145 N/ μ m |
| Preload class C G_C | 660 N |
| Static axial stiffness, preload class C | 190 N/ μ m |
| Calculation factor f | 1.15 |
| Calculation factor f_1 | 0.99 |
| Calculation factor f_{2A} | 1 |



KRS Guide Wheel Bearing Co., Ltd

| | |
|---|---------|
| Calculation factor f_{2B} | 1.04 |
| Calculation factor f_{2C} | 1.07 |
| Calculation factor f_{HC} | 1 |
| Calculation factor e | 0.68 |
| Calculation factor (single, tandem) Y_2 | 0.87 |
| Calculation factor (single, tandem) Y_0 | 0.38 |
| Calculation factor (single, tandem) X_2 | 0.41 |
| Calculation factor (back-to-back, face-to-face) Y_1 | 0.92 |
| Calculation factor (back-to-back, face-to-face) Y_2 | 1.41 |
| Calculation factor (back-to-back, face-to-face) Y_0 | 0.76 |
| Calculation factor (back-to-back, face-to-face) X_2 | 0.67 |
| Mass bearing | 0.13 kg |