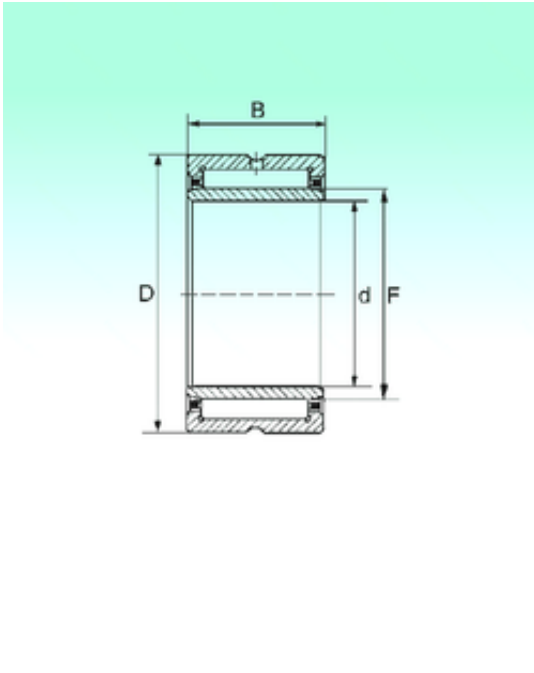




# KRS Guide Wheel Bearing Co., Ltd



NA 4912 Bearing 2D drawings and 3D CAD models

## NBS NA 4912 needle roller bearings

Bearing No. NA 4912

Size	60x85x25 mm
Bore Diameter	60 mm
Outer Diameter	85 mm
Width	25 mm
d	60 mm
Fw	68 mm
D	85 mm
C	25 mm
Weight	0,412 Kg
Basic dynamic load rating (C)	57 kN
Basic static load rating (C0)	102,6 kN