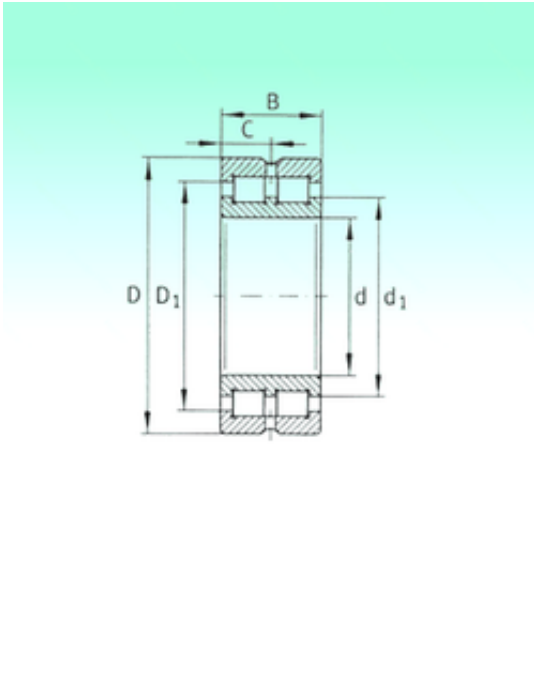




# KRS Guide Wheel Bearing Co., Ltd



SL014912 Bearing 2D drawings and 3D CAD models

60 mm x 85 mm x 25 mm NBS SL014912  
cylindrical roller bearings

Bearing No. SL014912

Size	60x85x25 mm
Bore Diameter	60 mm
Outer Diameter	85 mm
Width	25 mm
d	60 mm
D	85 mm
B	25 mm
C	25 mm
d1	70,3 mm
C	12,5 mm
D1	73,5 mm
Weight	0,49 Kg
Basic dynamic load rating (C)	71 kN
Basic static load rating (C0)	125 kN