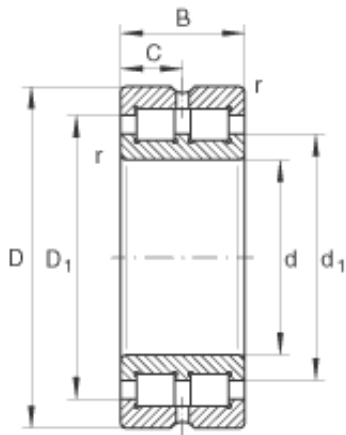




KRS Guide Wheel Bearing Co., Ltd



60 mm x 85 mm x 25 mm INA SL014912
cylindrical roller bearings

Bearing No. SL014912

SL014912 Bearing 2D drawings and 3D CAD models

Size	60x85x25 mm
Bore Diameter	60 mm
Outer Diameter	85 mm
Width	25 mm
d	60 mm
D	85 mm
B	25 mm
C	12,5 mm
D ₁	73,5 mm
d ₁	70,3 mm
r _{min}	1 mm
	NNC4912V / Designation to DIN 5412
m	0,49 kg / Weight
C _r	70000 N / Dynamic load rating (radial)
C _{0r}	121000 N / Static load rating (radial)
C _{ur}	17300 N / Fatigue limit load, radial
n _G	4650 1/min / Limiting speed
Category	Cylindrical Roller Bearings
Inventory	0.0
Manufacturer Name	SCHAEFFLER GROUP
Minimum Buy Quantity	N/A
Weight / Kilogram	0.587



KRS Guide Wheel Bearing Co., Ltd

EAN	4012802071245
Product Group	B04144
Bore Profile	Straight
Cage Material	None
Precision Class	RBEC 1 ISO P0
Number of Rows of Rollers	Double Row
Separable	No
Rolling Element	Cylindrical Roller Bearing
Profile	Complete with Outer and Inner Ring
Snap Ring	No
Internal Clearance	C0-Medium
Retainer	No
Relubricatable	Yes
Inch - Metric	Metric
Other Features	Full Complement 3 Rib Inner Ring 2 Rib Outer Ring Operating Temperature From -30 to 120 Deg
Long Description	60MM Bore; Straight Bore Profile; 85MM Outside Diameter; 25MM Width; RBEC 1 ISO P0; Double Row; Not Separable; No Snap Ring; Relubricatable; C0-Medium Internal Clearance; No Retainer
Category	Cylindrical Roller Bearing
UNSPSC	31171547
Harmonized Tariff Code	8482.50.00.00
Noun	Bearing
Manufacturer URL	http://www.ina.com
Manufacturer Item Number	SL014912
Weight / LBS	1.294
Outside Diameter	3.346 Inch 85 Millimeter



KRS Guide Wheel Bearing Co., Ltd

Bore	2.362 Inch 60 Millimeter
Width	0.984 Inch 25 Millimeter