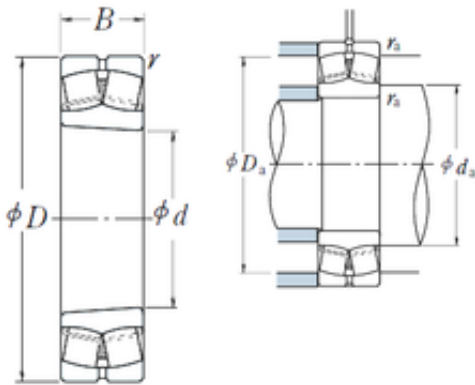




KRS Guide Wheel Bearing Co., Ltd



Tapered Bore

50 mm x 110 mm x 40 mm NSK 22310EAKE4 spherical roller bearings

Bearing No. 22310EAKE4

22310EAKE4 Bearing 2D drawings and 3D CAD models

Size	50x110x40 mm
Bore Diameter	50 mm
Outer Diameter	110 mm
Width	40 mm
d	50 mm
D	110 mm
B	40 mm
C	40 mm
r min.	2 mm
da min.	60 mm
da max	64 mm
Da min	93 mm
Da max.	100 mm
ra max.	2 mm
Weight	1,78 Kg
Basic dynamic load rating (C)	197 kN
Basic static load rating (C0)	234 kN
(Grease) Lubrication Speed	3800 r/min
(Oil) Lubrication Speed	4800 r/min
Calculation factor (e)	0,35
Calculation factor (Y0)	1,9
Calculation factor (Y2)	2,8
Category	Spherical Roller Bearings
Inventory	0.0
Manufacturer Name	NSK



KRS Guide Wheel Bearing Co., Ltd

Minimum Buy Quantity	N/A
Weight / Kilogram	1.4
Product Group	B04311
Internal Clearance	C0-Medium
Mounting Method	Adapter Mount
Rolling Element	Spherical Roller Bearing
Bore Profile	Tapered
Cage Material	Steel
Enclosure	Open
Number of Rows of Rollers	Double Row
Relubricatable	Yes
Withdrawal Sleeve	AHX2310 (Specify bore)
Inch - Metric	Metric
Long Description	50MM Tapered Bore; 110MM Outside Diameter; 40MM Width; C0-Medium Clearance; Adapter Mount; Double Row of Spherical Roller Bearings; Steel Cage Material; Open Enclosure; Relubricatable; Adapter Part Nu
Other Features	Order adapter or withdrawal sleeve or nut separately. Others may be available
Category	Spherical Roller Bearing
UNSPSC	31171510
Harmonized Tariff Code	84823080
Noun	Bearing
Keyword String	Spherical
Manufacturer URL	http://www.nskamericas.com
Manufacturer Item Number	22310EAKE4
Weight / LBS	1.4
Adapter Part Number	SNW110 H2310 HA2310



KRS Guide Wheel Bearing Co., Ltd

	HE2310 (Specify bore) Inch H2310 (Specify bore) Millimeter
Bore	1.969 Inch 50 Millimeter
Outside Diameter	4.331 Inch 110 Millimeter
Width	1.575 Inch 40 Millimeter
bore diameter:	50 mm
maximum rpm:	5300 RPM
outside diameter:	110 mm
operating temperature range:	Maximum of +200 ° C
overall width:	40 mm
cage material:	Steel
bore type:	Tapered 1:12
bearing material:	Steel
outer ring type:	Not Split
cage type:	Inner Ring Guided
internal clearance:	C3
precision rating:	RBEC 1 (ISO Class Normal)
closure type:	Open
finish/coating:	Uncoated
lubrication hole type:	Lubrication Groove & Hole
outer ring width:	40 mm
dynamic load capacity:	246000 N
fillet radius:	2 mm
static load capacity:	234000 N
series:	223
Y3	1.9
hidYobi	22310EAKE4
LangID	1
Y1	1.9
D_	110



KRS Guide Wheel Bearing Co., Ltd

Y2	2.8
Macha rpm	7100
B_	40
da min	60
hidTable	ecat_NSSPHR
Oil rpm	5300
Y0	1.9
mass	1.78
GRS rpm	4300
ra	2
TSR rpm	4800
C0	234
DE_	97.513
X0	1
Prod_Type3	SRB_CTB_TB
X1	1
X2	0.67
SIR	15.73
e	0.36
DA_	15.33
bomp	22310EAKE4
Z_	15
ALP2	18
ALP1	13
ALP3	0
D_a max	100
D_a min	93
yobi	22310EAKE4
HPS	HPS
ALPHA_	0.232
SDM_	82.594
r	2



KRS Guide Wheel Bearing Co., Ltd

KBRG	2328
SBRG	23
DI_	67.675