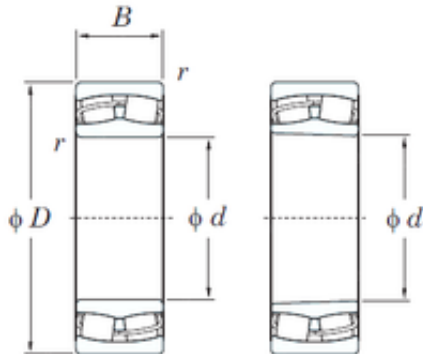




KRS Guide Wheel Bearing Co., Ltd

50 mm x 110 mm x 40 mm KOYO 22310RHRK spherical roller bearings



Bearing No. 22310RHRK

Size	50x110x40 mm
Bore Diameter	50 mm
Outer Diameter	110 mm
Width	40 mm
d	50 mm
D	110 mm
B	40 mm
C	40 mm
r min.	2 mm
da min.	60 mm
Da max.	100 mm
ra max.	2 mm
Weight	1,88 Kg
Basic dynamic load rating (C)	204 kN
Basic static load rating (C0)	237 kN
(Grease) Lubrication Speed	3300 r/min
(Oil) Lubrication Speed	4500 r/min
Calculation factor (e)	0,36
Calculation factor (Y0)	1,81
Calculation factor (Y1)	1,85

22310RHRK Bearing 2D drawings and 3D CAD models