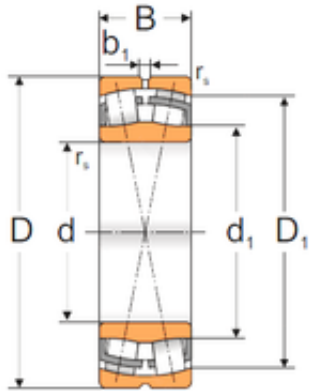




KRS Guide Wheel Bearing Co., Ltd

50 mm x 110 mm x 40 mm Loyal 22310 W33 spherical roller bearings



Bearing No. 22310 W33

22310 W33 Bearing 2D drawings and 3D CAD models

Size	50x110x40 mm
Bore Diameter	50 mm
Outer Diameter	110 mm
Width	40 mm
d	50 mm
D	110 mm
B	40 mm
C	40 mm
b1	6,3 mm
d1	63,7 mm
r5 min.	2 mm
D1	90,6 mm
Weight	1,85 Kg
Basic dynamic load rating (C)	178 kN
Basic static load rating (C0)	209 kN
(Grease) Lubrication Speed	3400 r/min
(Oil) Lubrication Speed	4300 r/min
Calculation factor (e)	0,39
Calculation factor (Y0)	1,68
Calculation factor (Y1)	1,72