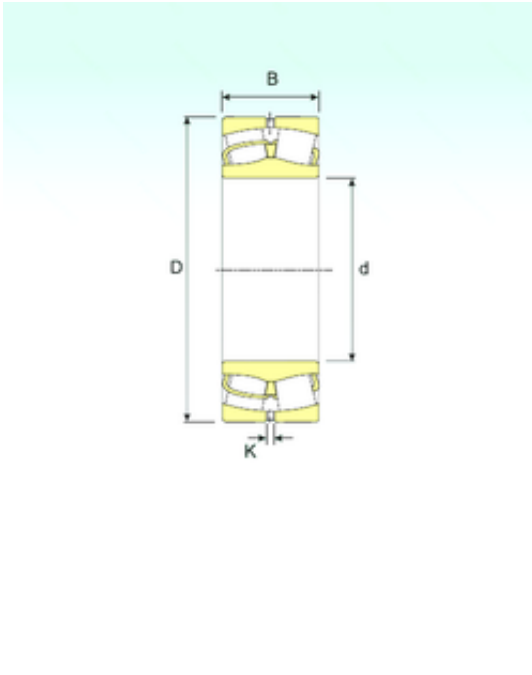




KRS Guide Wheel Bearing Co., Ltd



22310 Bearing 2D drawings and 3D CAD models

50 mm x 110 mm x 40 mm ISB 22310 spherical roller bearings

Bearing No. 22310

Size	50x110x40 mm
Bore Diameter	50 mm
Outer Diameter	110 mm
Width	40 mm
d	50 mm
D	110 mm
B	40 mm
C	40 mm
K	3 mm
Weight	1,9 Kg
Basic dynamic load rating (C)	216 kN
Basic static load rating (C0)	220 kN
(Grease) Lubrication Speed	4819,5 r/min