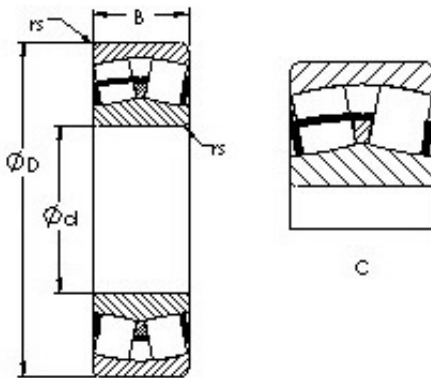




KRS Guide Wheel Bearing Co., Ltd



AST 22310CY spherical roller bearings

Bearing No. 22310CY

Size	50x110x40 mm
Bore Diameter	50 mm
Outer Diameter	110 mm
Width	40 mm
Bearing Type	straight bore
Bore Dia (d)	50.0000
Outer Dia (D)	110.0000
Width (B)	40.0000
Radius (min) (rs)	2.000
Dynamic Load Rating (Cr)	190,000
Static Load Rating (Cor)	220,000
Max Speed (Grease) (X1000 RPM)	3
Max Speed (Oil) (X1000 RPM)	5
Weight (g)	1,820.00
Material	52100 Chrome steel, or equivalent

22310CY Bearing 2D drawings and 3D CAD models