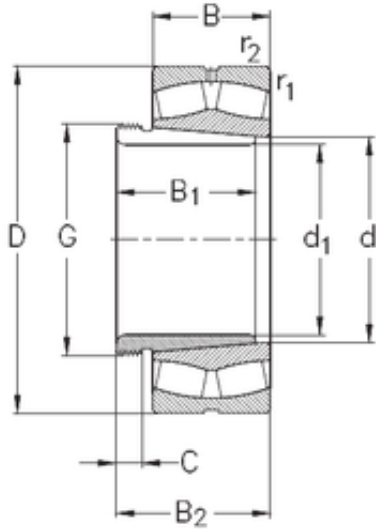




KRS Guide Wheel Bearing Co., Ltd



50 mm x 110 mm x 40 mm NKE 22310-E-K-W33+AHX2310 spherical roller bearings

Bearing No. 22310-E-K-W33+AHX2310

22310-E-K-W33+AHX2310 Bearing 2D drawings and 3D CAD models

Size	50x110x40 mm
Bore Diameter	50 mm
Outer Diameter	110 mm
Width	40 mm
d	50 mm
d1	45 mm
D	110 mm
B	40 mm
C	40 mm
r1 min.	2 mm
r2 min.	2 mm
B1	50 mm
B2	53 mm
C	9 mm
Thread (G)	M 55x2
Weight	2,15 Kg
Basic dynamic load rating (C)	200 kN
Basic static load rating (C0)	238 kN
Limiting speed	6300 r/min
Calculation factor (e)	0,36
Calculation factor (Y0)	1,8
Calculation factor (Y1)	1,9