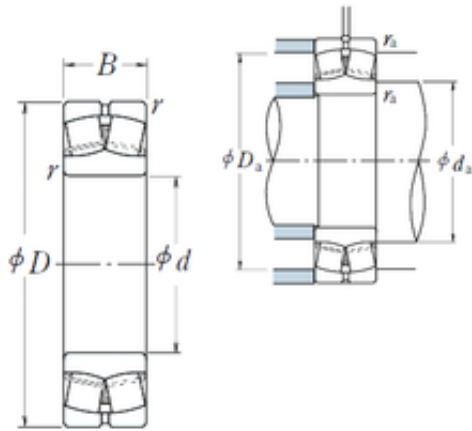




KRS Guide Wheel Bearing Co., Ltd



50 mm x 110 mm x 40 mm NSK 22310EAE4 spherical roller bearings

Bearing No. 22310EAE4

22310EAE4 Bearing 2D drawings and 3D CAD models

| | |
|-------------------------------|---------------------------|
| Size | 50x110x40 mm |
| Bore Diameter | 50 mm |
| Outer Diameter | 110 mm |
| Width | 40 mm |
| d | 50 mm |
| D | 110 mm |
| B | 40 mm |
| C | 40 mm |
| r min. | 2 mm |
| da min. | 60 mm |
| da max | 64 mm |
| Da min | 93 mm |
| Da max. | 100 mm |
| ra max. | 2 mm |
| Weight | 1,78 Kg |
| Basic dynamic load rating (C) | 197 kN |
| Basic static load rating (C0) | 234 kN |
| (Grease) Lubrication Speed | 3800 r/min |
| (Oil) Lubrication Speed | 4800 r/min |
| Calculation factor (e) | 0,35 |
| Calculation factor (Y0) | 1,9 |
| Calculation factor (Y2) | 2,8 |
| Category | Spherical Roller Bearings |
| Inventory | 0.0 |
| Manufacturer Name | NSK |



KRS Guide Wheel Bearing Co., Ltd

| | |
|---------------------------|---|
| Minimum Buy Quantity | N/A |
| Weight / Kilogram | 1.84 |
| EAN | 0029176411625 |
| Product Group | B04311 |
| Internal Clearance | C0-Medium |
| Mounting Method | Shaft Mount |
| Rolling Element | Spherical Roller Bearing |
| Bore Profile | Straight |
| Cage Material | Steel |
| Enclosure | Open |
| Number of Rows of Rollers | Double Row |
| Relubricatable | Yes |
| Withdrawal Sleeve | Not Applicable |
| Inch - Metric | Metric |
| Long Description | 50MM Straight Bore; 110MM Outside Diameter; 40MM Width; C0-Medium Clearance; Shaft Mount; Double Row of Spherical Roller Bearings; Steel Cage Material; Open Enclosure; Relubricatable |
| Category | Spherical Roller Bearing |
| UNSPSC | 31171510 |
| Harmonized Tariff Code | 84823080 |
| Noun | Bearing |
| Keyword String | Spherical |
| Manufacturer URL | http://www.nskamericas.com |
| Manufacturer Item Number | 22310EAE4 |
| Weight / LBS | 1.84 |
| Outside Diameter | 4.331 Inch 110 Millimeter |
| Width | 1.575 Inch 40 Millimeter |
| Bore | 1.969 Inch 50 Millimeter |
| Adapter Part Number | Not Applicable Inch Not |



KRS Guide Wheel Bearing Co., Ltd

| | Applicable Millimeter |
|------------------------------|---------------------------|
| bore diameter: | 50 mm |
| maximum rpm: | 5300 RPM |
| outside diameter: | 110 mm |
| operating temperature range: | Maximum of +200 ° C |
| overall width: | 40 mm |
| cage material: | Steel |
| bore type: | Straight |
| bearing material: | Steel |
| outer ring type: | Not Split |
| cage type: | Inner Ring Guided |
| internal clearance: | C3 |
| precision rating: | RBEC 1 (ISO Class Normal) |
| closure type: | Open |
| finish/coating: | Uncoated |
| lubrication hole type: | Lubrication Groove & Hole |
| outer ring width: | 40 mm |
| dynamic load capacity: | 246000 N |
| fillet radius: | 2 mm |
| static load capacity: | 234000 N |
| series: | 223 |
| Y3 | 1.9 |
| hidYobi | 22310EAE4 |
| LangID | 1 |
| Y1 | 1.9 |
| D_ | 110 |
| Y2 | 2.8 |
| Macha rpm | 7100 |
| B_ | 40 |
| da min | 60 |
| hidTable | ecat_NSSPHR |



KRS Guide Wheel Bearing Co., Ltd

| | |
|------------|------------|
| Oil rpm | 5300 |
| Y0 | 1.9 |
| mass | 1.78 |
| GRS rpm | 4300 |
| ra | 2 |
| TSR rpm | 4800 |
| C0 | 234 |
| DE_ | 97.513 |
| X0 | 1 |
| Prod_Type3 | SRB_CTB_CB |
| X1 | 1 |
| X2 | 0.67 |
| SIR | 15.73 |
| e | 0.36 |
| DA_ | 15.33 |
| bomp | 22310EAE4 |
| Z_ | 15 |
| ALP2 | 18 |
| ALP1 | 13 |
| ALP3 | 0 |
| D_a max | 100 |
| D_a min | 93 |
| yobi | 22310EAE4 |
| HPS | HPS |
| ALPHA_ | 0.232 |
| SDM_ | 82.594 |
| r | 2 |
| KBRG | 2328 |
| SBRG | 23 |
| DI_ | 67.675 |