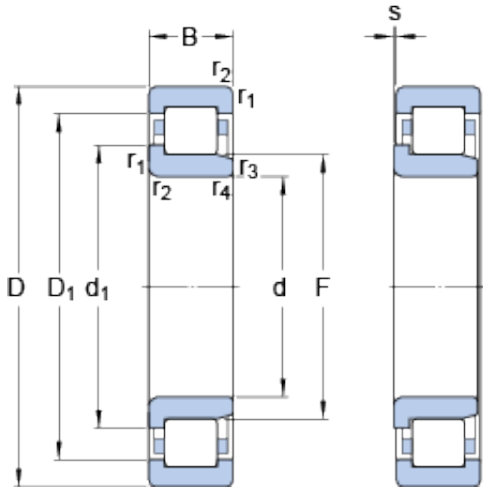




KRS Guide Wheel Bearing Co., Ltd



20 mm x 47 mm x 14 mm SKF NJ 204 ECP thrust ball bearings

Bearing No. NJ 204 ECP

NJ 204 ECP Bearing 2D drawings and 3D CAD models

Size	47x20x14 mm
Bore Diameter	47 mm
Outer Diameter	20 mm
Width	14 mm
d	20 mm
D	47 mm
B	14 mm
d ₁	29.7 mm
D ₁	38.44 mm
F	26.5 mm
r _{1,2} - min.	1 mm
r _{3,4} - min.	1 mm
s	1 mm
d _a - min.	25 mm
d _a - max.	25.4 mm
d _b - min.	31 mm
D _a - max.	41.7 mm
r _a - max.	1 mm
Basic dynamic load rating - C	28.5 kN
Basic static load rating - C ₀	22 kN
Fatigue load limit - P _u	2.8 kN
Reference speed	16000 r/min
Limiting speed	19000 r/min
Calculation factor - k _r	0.15



KRS Guide Wheel Bearing Co., Ltd

Category	Cylindrical Roller Bearings
Inventory	4.0
Manufacturer Name	SKF
Minimum Buy Quantity	N/A
Weight / Kilogram	0.118
EAN	7316577061829
Product Group	B04144
Bore Profile	Straight
Cage Material	Polymer
Precision Class	RBEC 1 ISO P0
Number of Rows of Rollers	Single Row
Separable	Inner Ring - One Side
Rolling Element	Cylindrical Roller Bearing
Profile	Complete with Outer and Inner Ring
Snap Ring	No
Internal Clearance	C0-Medium
Retainer	Yes
Relubricatable	Yes
Inch - Metric	Metric
Other Features	High Capacity 1 Rib Inner Ring 2 Rib Outer Ring Cage on Outer Ring ID
Long Description	20MM Bore; Straight Bore Profile; 47MM Outside Diameter; 14MM Width; Polymer Cage Material; RBEC 1 ISO P0; Single Row; Inner Ring - One Side Separable; No Snap Ring; Relubricatable; C0-Medium Inter
Category	Cylindrical Roller Bearing
UNSPSC	31171547
Harmonized Tariff Code	8482.50.00.00
Noun	Bearing



KRS Guide Wheel Bearing Co., Ltd

Manufacturer URL	http://www.skf.com
Manufacturer Item Number	NJ 204 ECP
Weight / LBS	0.26
Width	0.551 Inch 14 Millimeter
Bore	0.787 Inch 20 Millimeter
Outside Diameter	1.85 Inch 47 Millimeter
bore diameter:	20 mm
static load capacity:	22 kN
outside diameter:	47 mm
precision rating:	RBEC 1 (ISO Class Normal)
overall width:	14 mm
maximum rpm:	19000 RPM
flanges:	(2) Outer Ring, (1) Inner Ring
cage material:	Polyamide
bore type:	Straight
finish/coating:	Uncoated
number of rows:	1
closure type:	Open
internal clearance:	C0
application:	Piston Type Machines, Rolling Mills, Spindles/Machine Tools
ring separation:	Separable Ring
outer ring width:	14 mm
operating temperature range:	Maximum of +300 ° F
fillet radius:	1 mm
dynamic load capacity:	25.1 kN
series:	NJ2
d ₁	29.7 mm
D ₁	38.44 mm
r _{1,2} min.	1 mm



KRS Guide Wheel Bearing Co., Ltd

$r_{3,4}$ min.	0.6 mm
s max.	1 mm
d_a min.	25 mm
d_a max.	25.4 mm
d_b min.	31 mm
D_a max.	41.7 mm
r_a max.	1 mm
Basic dynamic load rating C	28.5 kN
Basic static load rating C_0	22 kN
Fatigue load limit P_u	2.75 kN
Calculation factor k_r	0.15
Limiting value e	0.2
Axial load factor Y	0.6
Mass bearing	0.11 kg