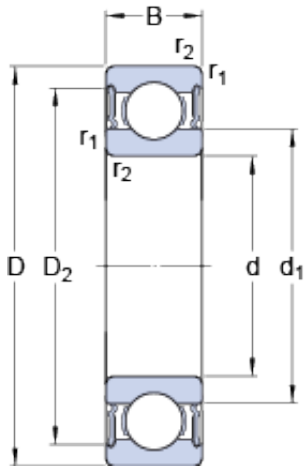




KRS Guide Wheel Bearing Co., Ltd



20 mm x 47 mm x 14 mm SKF W
6204-2RS1/VP311 deep groove ball bearings

Bearing No. W 6204-2RS1/VP311

W 6204-2RS1/VP311 Bearing 2D drawings and 3D CAD models

Size	47x20x14 mm
Bore Diameter	47 mm
Outer Diameter	20 mm
Width	14 mm
d	20 mm
D	47 mm
B	14 mm
d ₁	29.5 mm
D ₂	40.9 mm
r _{1,2} - min.	1 mm
d _a - min.	25 mm
d _a - max.	29 mm
D _a - max.	42 mm
r _a - max.	1 mm
Basic dynamic load rating - C	10.8 kN
Basic static load rating - C ₀	6.6 kN
Fatigue load limit - P _u	0.28 kN
Limiting speed	10000 r/min
Calculation factor - k _r	0.03
Calculation factor - f ₀	13.1
d ₁	29.5 mm
D ₂	40.92 mm
r _{1,2} min.	1 mm
d _a min.	25 mm



KRS Guide Wheel Bearing Co., Ltd

d_a max.	29 mm
D_a max.	42 mm
r_a max.	1 mm
Basic dynamic load rating C	10.8 kN
Basic static load rating C_0	6.55 kN
Fatigue load limit P_u	0.28 kN
Calculation factor k_r	0.03
Calculation factor f_0	13.1
Mass bearing	0.1 kg