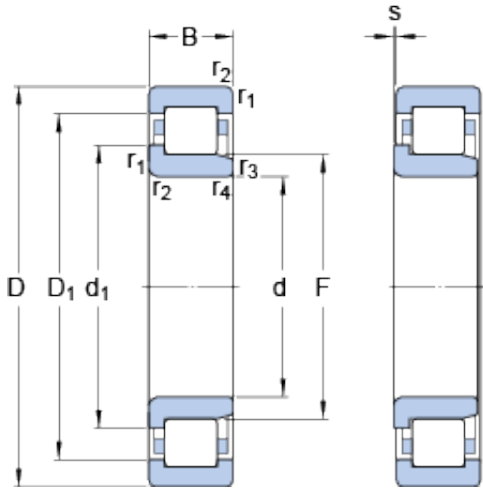




# KRS Guide Wheel Bearing Co., Ltd



## 20 mm x 47 mm x 14 mm SKF NJ 204 ECML thrust ball bearings

Bearing No. NJ 204 ECML

NJ 204 ECML Bearing 2D drawings and 3D CAD models

Size	47x20x14 mm
Bore Diameter	47 mm
Outer Diameter	20 mm
Width	14 mm
d	20 mm
D	47 mm
B	14 mm
d <sub>1</sub>	29.7 mm
D <sub>1</sub>	38.8 mm
F	26.5 mm
r <sub>1,2</sub> - min.	1 mm
r <sub>3,4</sub> - min.	1 mm
s	1 mm
d <sub>a</sub> - min.	25 mm
d <sub>a</sub> - max.	25.4 mm
d <sub>b</sub> - min.	31 mm
D <sub>a</sub> - max.	41.7 mm
r <sub>a</sub> - max.	1 mm
Basic dynamic load rating - C	28.5 kN
Basic static load rating - C <sub>0</sub>	22 kN
Fatigue load limit - P <sub>u</sub>	2.8 kN
Reference speed	16000 r/min
Limiting speed	30000 r/min
Calculation factor - k <sub>r</sub>	0.23



## KRS Guide Wheel Bearing Co., Ltd

$d_1$	29.7 mm
$D_1$	38.8 mm
$r_{1,2}$ min.	1 mm
$r_{3,4}$ min.	0.6 mm
s max.	1 mm
$d_a$ min.	25 mm
$d_a$ max.	25.4 mm
$d_b$ min.	31 mm
$D_a$ max.	41.7 mm
$r_a$ max.	1 mm
Basic dynamic load rating C	28.5 kN
Basic static load rating $C_0$	22 kN
Fatigue load limit $P_u$	2.75 kN
Calculation factor $k_r$	0.23
Limiting value e	0.2
Axial load factor Y	0.6
Mass bearing	0.13 kg