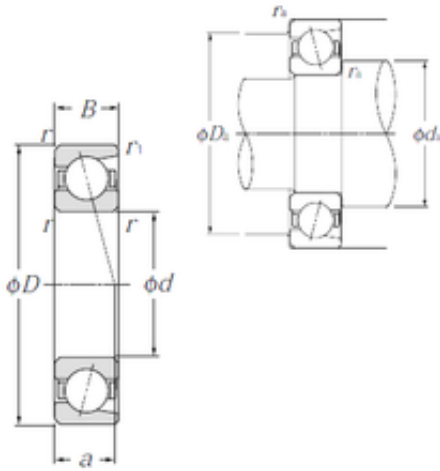




KRS Guide Wheel Bearing Co., Ltd

40 mm x 62 mm x 12 mm NTN 7908C angular contact ball bearings



Bearing No. 7908C

Size	40x62x12 mm
Bore Diameter	40 mm
Outer Diameter	62 mm
Width	12 mm
d	40 mm
D	62 mm
B	12 mm
C	12 mm
Angle (°)	15 °
a	13 mm
r min.	0,6 mm
r1 min.	0,3 mm
Weight	0,109 Kg
Basic dynamic load rating (C)	14 kN
Basic static load rating (C0)	11,1 kN
(Grease) Lubrication Speed	17 000 r/min
(Oil) Lubrication Speed	22 000 r/min

7908C Bearing 2D drawings and 3D CAD models