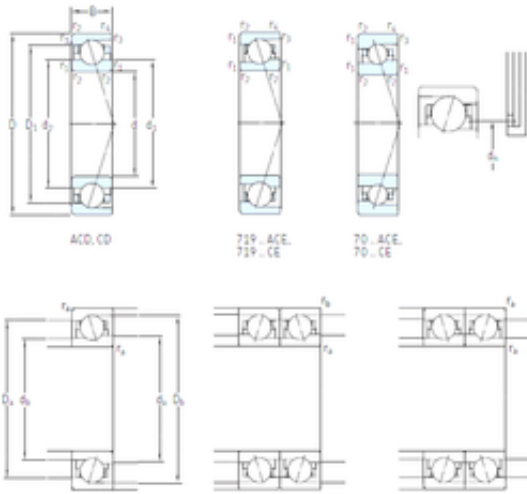




# KRS Guide Wheel Bearing Co., Ltd



40 mm x 62 mm x 12 mm SKF 71908 ACD/P4A angular contact ball bearings

Bearing No. 71908 ACD/P4A

71908 ACD/P4A Bearing 2D drawings and 3D CAD models

Size	40x62x12 mm
Bore Diameter	40 mm
Outer Diameter	62 mm
Width	12 mm
d	40 mm
D	62 mm
B	12 mm
C	12 mm
d1	47,1 mm
d2	47,1 mm
r1 min.	0,6 mm
r2 min.	0,6 mm
r3 min.	0,3 mm
r4 min.	0,3 mm
D1	54,9 mm
D2	57,1 mm
da min.	43,2 mm
Da max.	58,8 mm
db min	43,2 mm
ra max.	0,6 mm
rb max.	0,3 mm
dh	48,7 mm
Db max	60,6 mm
Weight	0,11 Kg
Basic dynamic load rating (C)	11,7 kN



## KRS Guide Wheel Bearing Co., Ltd

Basic static load rating (C0)	8 kN
(Grease) Lubrication Speed	18 000 r/min
(Oil) Lubrication Speed	30 000 r/min
Fatigue load limit (Pu)	0,34
Category	Precision Ball Bearings
Inventory	0.0
Manufacturer Name	SKF
Minimum Buy Quantity	N/A
Weight / Kilogram	0.131
EAN	7316570499445
Product Group	B04270
Enclosure	Open
Precision Class	ABEC 7   ISO P4
Material - Ball	Steel
Number of Bearings	1 (Single)
Contact Angle	25 Degree
Preload	None
Raceway Style	1 Rib Outer Ring
Cage Material	Phenolic
Rolling Element	Ball Bearing
Flush Ground	No
Inch - Metric	Metric
Other Features	Single Row   Angular Contact   High Precision
Long Description	40MM Bore; 62MM Outside Diameter; 12MM Width; Open Enclosure; ABEC 7   ISO P4 Precision; Steel Ball Material; 1 (Single) Bearings; 25 Degree Contact Angle; Phenolic Cage Material; 1 Rib Outer Ring Rac
Category	Precision Ball Bearings
UNSPSC	31171531



## KRS Guide Wheel Bearing Co., Ltd

Harmonized Tariff Code	8482.10.50.28
Noun	Bearing
Keyword String	Angular Contact Ball
Manufacturer URL	<a href="http://www.skf.com">http://www.skf.com</a>
Manufacturer Item Number	71908 ACD/P4A
Weight / LBS	0.276
Bore	1.575 Inch   40 Millimeter
Width	0.472 Inch   12 Millimeter
Outside Diameter	2.441 Inch   62 Millimeter
$d_1$	47.1 mm
$d_2$	47.1 mm
$D_1$	54.9 mm
$r_{1,2}$ min.	0.6 mm
$r_{3,4}$ min.	0.3 mm
a	18 mm
$d_a$ min.	43.2 mm
$d_b$ min.	43.2 mm
$D_a$ max.	58.8 mm
$D_b$ max.	60.6 mm
$r_a$ max.	0.6 mm
$r_b$ max.	0.3 mm
$d_n$	48.7 mm
Basic dynamic load rating C	11.7 kN
Basic static load rating $C_0$	8 kN
Fatigue load limit $P_u$	0.34 kN
Attainable speed for grease lubrication	18000 r/min
Attainable speed for oil-air lubrication	30000 r/min
Ball diameter $D_w$	6.35 mm
Number of balls z	21
Reference grease quantity $G_{ref}$	1.44 cm <sup>3</sup>



## KRS Guide Wheel Bearing Co., Ltd

Preload class A $G_A$	70 N
Static axial stiffness, preload class A	89 N/ $\mu$ m
Preload class B $G_B$	140 N
Static axial stiffness, preload class B	115 N/ $\mu$ m
Preload class C $G_C$	280 N
Static axial stiffness, preload class C	151 N/ $\mu$ m
Preload class D $G_D$	560 N
Static axial stiffness, preload class D	199 N/ $\mu$ m
Calculation factor $f$	1.09
Calculation factor $f_1$	0.98
Calculation factor $f_{2A}$	1
Calculation factor $f_{2B}$	1.04
Calculation factor $f_{2C}$	1.08
Calculation factor $f_{2D}$	1.14
Calculation factor $f_{HC}$	1
Calculation factor $e$	0.68
Calculation factor (single, tandem) $Y_2$	0.87
Calculation factor (single, tandem) $Y_0$	0.38
Calculation factor (single, tandem) $X_2$	0.41
Calculation factor (back-to-back, face-to-face) $Y_1$	0.92
Calculation factor (back-to-back, face-to-face) $Y_2$	1.41
Calculation factor (back-to-back, face-to-face) $Y_0$	0.76
Calculation factor (back-to-back, face-to-face) $X_2$	0.67
Mass bearing	0.11 kg