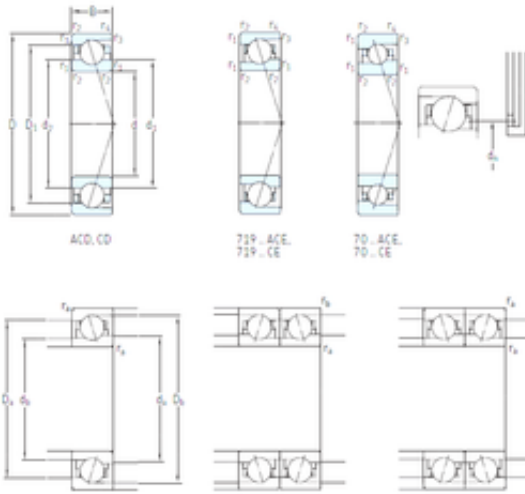




# KRS Guide Wheel Bearing Co., Ltd



40 mm x 62 mm x 12 mm SKF 71908 CB/P4A angular contact ball bearings

Bearing No. 71908 CB/P4A

71908 CB/P4A Bearing 2D drawings and 3D CAD models

Size	40x62x12 mm
Bore Diameter	40 mm
Outer Diameter	62 mm
Width	12 mm
d	40 mm
D	62 mm
B	12 mm
C	12 mm
d1	48,5 mm
d2	47,6 mm
r1 min.	0,6 mm
r2 min.	0,6 mm
r3 min.	0,3 mm
r4 min.	0,3 mm
D1	55,6 mm
D2	55,6 mm
da min.	43,2 mm
Da max.	58,8 mm
db min	43,2 mm
ra max.	0,6 mm
rb max.	0,3 mm
dh	49,1 mm
Db max	60 mm
Weight	0,12 Kg
Basic dynamic load rating (C)	5,4 kN



## KRS Guide Wheel Bearing Co., Ltd

Basic static load rating (C0)	4,15 kN
(Grease) Lubrication Speed	30 000 r/min
(Oil) Lubrication Speed	45 000 r/min
Fatigue load limit (Pu)	0,176
d <sub>1</sub>	48.46 mm
d <sub>2</sub>	47.6 mm
D <sub>2</sub>	55.64 mm
r <sub>1,2</sub> min.	0.6 mm
r <sub>3,4</sub> min.	0.3 mm
a	14.8 mm
d <sub>a</sub> min.	43.2 mm
d <sub>b</sub> min.	43.2 mm
D <sub>a</sub> max.	58.8 mm
D <sub>b</sub> max.	60 mm
r <sub>a</sub> max.	0.6 mm
r <sub>b</sub> max.	0.3 mm
d <sub>n</sub>	49.1 mm
Basic dynamic load rating C	7.15 kN
Basic static load rating C <sub>0</sub>	6.95 kN
Fatigue load limit P <sub>u</sub>	0.176 kN
Attainable speed for grease lubrication	30000 r/min
Attainable speed for oil-air lubrication	45000 r/min
Ball diameter D <sub>w</sub>	3.969 mm
Number of balls z	28
Reference grease quantity G <sub>ref</sub>	1.38 cm <sup>3</sup>
Preload class A G <sub>A</sub>	18 N
Static axial stiffness, preload class A	25 N/ μ m
Preload class B G <sub>B</sub>	36 N
Static axial stiffness, preload class B	32 N/ μ m



## KRS Guide Wheel Bearing Co., Ltd

Preload class C $G_C$	110 N
Static axial stiffness, preload class C	52 N/ $\mu$ m
Calculation factor $f$	1.06
Calculation factor $f_1$	1
Calculation factor $f_{2A}$	1
Calculation factor $f_{2B}$	1.02
Calculation factor $f_{2C}$	1.07
Calculation factor $f_{HC}$	1
Calculation factor $f_0$	9.8
Mass bearing	0.12 kg