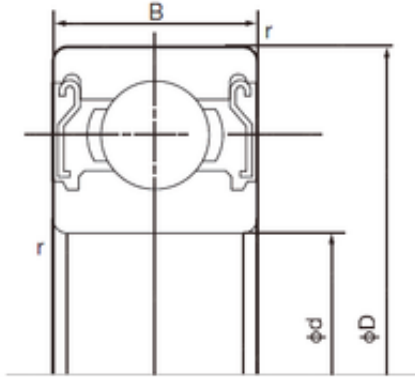




# KRS Guide Wheel Bearing Co., Ltd

40 mm x 62 mm x 12 mm NACHI 6908ZZE  
deep groove ball bearings



Bearing No. 6908ZZE

6908ZZE Bearing 2D drawings and 3D CAD models

Size	40x62x12 mm
Bore Diameter	40 mm
Outer Diameter	62 mm
Width	12 mm
d	40 mm
D	62 mm
B	12 mm
C	12 mm
r min.	0.6 mm
da min.	44 mm
Da max.	58 mm
ra max.	0.6 mm
Weight	0.108 Kg
Basic dynamic load rating (C)	13,7 kN
Basic static load rating (C0)	9,95 kN
Bore Type	Cylindrical Bore
Enclosure	Double Shield
Configuration	Single Row
Bore Size	40 mm
Outside Diameter	62 mm
Width	12 mm
Fillet Radius/Chamfer	0.6 mm
Dynamic Load Rating	13,700 N
Static Load Rating	9,950 N
Limiting Speed - Grease	11,000 rpm



## KRS Guide Wheel Bearing Co., Ltd

Factor $f_o$	15.8
Radial Clearance	0.006 to 0.020 mm
$d_a$ (min)	44 mm
$D_a$ (max)	58 mm
$r_a$ (max)	0.6 mm