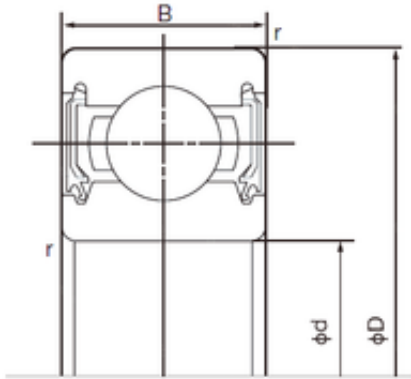




KRS Guide Wheel Bearing Co., Ltd

30 mm x 62 mm x 16 mm NACHI 6206-2NSE9 deep groove ball bearings



Bearing No. 6206-2NSE9

6206-2NSE9 Bearing 2D drawings and 3D CAD models

Size	30x62x16 mm
Bore Diameter	30 mm
Outer Diameter	62 mm
Width	16 mm
d	30 mm
D	62 mm
B	16 mm
C	16 mm
r min.	1.0 mm
Basic dynamic load rating (C)	19,5 kN
Basic static load rating (C0)	11,3 kN
Bore Type	Cylindrical Bore
Enclosure	Double Seal
Configuration	Single Row
Weight	0.199 kg
Bore Size	30 mm
Outside Diameter	62 mm
Width	16 mm
Fillet Radius/Chamfer	1 mm
Dynamic Load Rating	19,500 N
Static Load Rating	11,300 N
Limiting Speed - Grease	7,500 rpm
Factor fo	13.9
Radial Clearance	0.005 to 0.020 mm
da (min)	36 mm



KRS Guide Wheel Bearing Co., Ltd

Da (max)	56 mm
ra (max)	1 mm