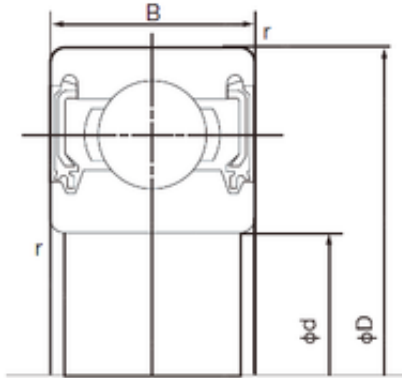




KRS Guide Wheel Bearing Co., Ltd

30 mm x 62 mm x 16 mm NACHI 6206-2NKE deep groove ball bearings



Bearing No. 6206-2NKE

6206-2NKE Bearing 2D drawings and 3D CAD models

Size	30x62x16 mm
Bore Diameter	30 mm
Outer Diameter	62 mm
Width	16 mm
d	30 mm
D	62 mm
B	16 mm
C	16 mm
r min.	1 mm
da min.	36 mm
Da max.	56 mm
ra max.	1.0 mm
Weight	0.199 Kg
Basic dynamic load rating (C)	19,5 kN
Basic static load rating (C0)	11,3 kN
Category	Single Row Ball Bearings
Inventory	0.0
Manufacturer Name	NACHI
Minimum Buy Quantity	N/A
Weight / Kilogram	0
Product Group	B00308
Enclosure	2 Seals
Precision Class	ABEC 1 ISO P0
Maximum Capacity / Filling Slot	No



KRS Guide Wheel Bearing Co., Ltd

Rolling Element	Ball Bearing
Snap Ring	No
Internal Special Features	No
Cage Material	Steel
Enclosure Type	Non-Contact Seal
Internal Clearance	C0-Medium
Inch - Metric	Metric
Long Description	30MM Bore; 62MM Outside Diameter; 16MM Outer Race Width; 2 Seals; Ball Bearing; ABEC 1 ISO P0; No Filling Slot; No Snap Ring; No Internal Special Features; C0-Medium Internal Clearance; Steel Cage;
Other Features	Deep Groove Labyrinth Seal
Category	Single Row Ball Bearing
UNSPSC	31171504
Harmonized Tariff Code	8482.10.50.68
Noun	Bearing
Keyword String	Ball
Manufacturer URL	http://www.nachiamerica.com
Weight / LBS	0.439
Inner Race Width	0 Inch 0 Millimeter
Outside Diameter	2.441 Inch 62 Millimeter
Outer Race Width	0.63 Inch 16 Millimeter
Bore	1.181 Inch 30 Millimeter