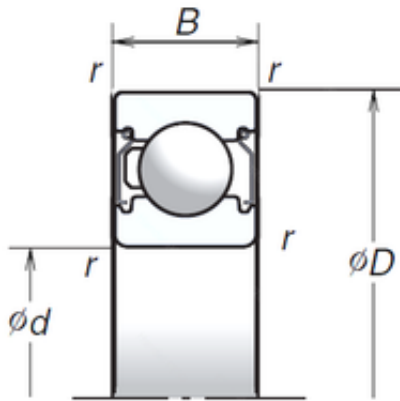




KRS Guide Wheel Bearing Co., Ltd

30 mm x 62 mm x 16 mm NSK 6206T1XZZ
deep groove ball bearings



Bearing No. 6206T1XZZ

Size	30x62x16 mm
Bore Diameter	30 mm
Outer Diameter	62 mm
Width	16 mm
d	30 mm
D	62 mm
B	16 mm
C	16 mm
r min.	1 mm
Basic dynamic load rating (C)	19,5 kN
Basic static load rating (C0)	11,3 kN

6206T1XZZ Bearing 2D drawings and 3D CAD models