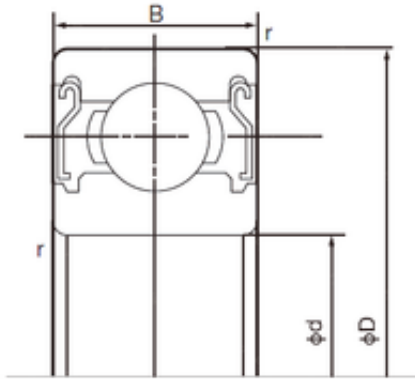




KRS Guide Wheel Bearing Co., Ltd

30 mm x 62 mm x 16 mm NACHI 6206ZZE deep groove ball bearings



Bearing No. 6206ZZE

6206ZZE Bearing 2D drawings and 3D CAD models

Size	30x62x16 mm
Bore Diameter	30 mm
Outer Diameter	62 mm
Width	16 mm
d	30 mm
D	62 mm
B	16 mm
C	16 mm
r min.	1.0 mm
da min.	36 mm
Da max.	56 mm
ra max.	1.0 mm
Weight	0.199 Kg
Basic dynamic load rating (C)	19,5 kN
Basic static load rating (C0)	11,3 kN
(Grease) Lubrication Speed	10000 r/min
Category	Single Row Ball Bearings
Inventory	0.0
Manufacturer Name	NACHI
Minimum Buy Quantity	N/A
Weight / Kilogram	0
Product Group	B00308
Enclosure	2 Metal Shields
Precision Class	ABEC 1 ISO P0
Maximum Capacity / Filling	No



KRS Guide Wheel Bearing Co., Ltd

Slot	
Rolling Element	Ball Bearing
Snap Ring	No
Internal Special Features	No
Cage Material	Steel
Internal Clearance	C0-Medium
Inch - Metric	Metric
Long Description	30MM Bore; 62MM Outside Diameter; 16MM Outer Race Width; 2 Metal Shields; Ball Bearing; ABEC 1 ISO P0; No Filling Slot; No Snap Ring; No Internal Special Features; C0-Medium Internal Clearance; Stee
Other Features	Deep Groove
Category	Single Row Ball Bearing
UNSPSC	31171504
Harmonized Tariff Code	8482.10.50.68
Noun	Bearing
Keyword String	Ball
Manufacturer URL	http://www.nachiamerica.com
Weight / LBS	0.439
Bore	1.181 Inch 30 Millimeter
Inner Race Width	0 Inch 0 Millimeter
Outer Race Width	0.63 Inch 16 Millimeter
Outside Diameter	2.441 Inch 62 Millimeter
Bore Type	Cylindrical Bore
Configuration	Single Row
Bore Size	30 mm
Width	16 mm
Fillet Radius/Chamfer	1 mm
Dynamic Load Rating	19,500 N



KRS Guide Wheel Bearing Co., Ltd

Static Load Rating	11,300 N
Limiting Speed - Grease	11,000 rpm
Factor f_0	13.9
Radial Clearance	0.005 to 0.020 mm
d_a (min)	36 mm
D_a (max)	56 mm
r_a (max)	1 mm