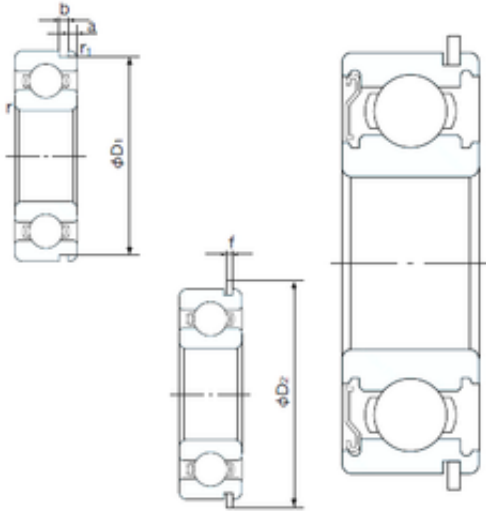




KRS Guide Wheel Bearing Co., Ltd



30 mm x 55 mm x 13 mm NACHI 6006ZNR deep groove ball bearings

Bearing No. 6006ZNR

6006ZNR Bearing 2D drawings and 3D CAD models

Size	30x55x13 mm
Bore Diameter	30 mm
Outer Diameter	55 mm
Width	13 mm
d	30 mm
D	55 mm
B	13 mm
C	13 mm
a	2.08 mm
b	1.35 mm
f	1.12 mm
r min.	1 mm
r1 min.	0.5 mm
D1	52.6 mm
D2	60.7 mm
Weight	0.113 Kg
Basic dynamic load rating (C)	13,2 kN
Basic static load rating (C0)	8,3 kN
(Grease) Lubrication Speed	12000 r/min
Category	Single Row Ball Bearings
Inventory	0.0
Manufacturer Name	NACHI
Minimum Buy Quantity	N/A
Weight / Kilogram	0
Product Group	B00308



KRS Guide Wheel Bearing Co., Ltd

Enclosure	1 Metal Shield
Precision Class	ABEC 1 ISO P0
Maximum Capacity / Filling Slot	No
Rolling Element	Ball Bearing
Snap Ring	Yes
Internal Special Features	No
Cage Material	Steel
Internal Clearance	C0-Medium
Inch - Metric	Metric
Long Description	30MM Bore; 55MM Outside Diameter; 13MM Outer Race Width; 1 Metal Shield; Ball Bearing; ABEC 1 ISO P0; No Filling Slot; Yes Snap Ring; No Internal Special Features; C0-Medium Internal Clearance; Stee
Other Features	Deep Groove With Snap Ring
Category	Single Row Ball Bearing
UNSPSC	31171504
Harmonized Tariff Code	8482.10.50.68
Noun	Bearing
Keyword String	Ball
Manufacturer URL	http://www.nachiamerica.com
Outside Diameter	2.165 Inch 55 Millimeter
Bore	1.181 Inch 30 Millimeter
Inner Race Width	0 Inch 0 Millimeter
Outer Race Width	0.512 Inch 13 Millimeter
Bore Type	Cylindrical Bore
Configuration	Single Row
Bore Size	30 mm
Width	13 mm



KRS Guide Wheel Bearing Co., Ltd

Fillet Radius/Chamfer	1 mm
r1	0.5 mm
Snap Ring Width	1.1 mm
Snap Ring Outside Diameter	60.7 mm
D1 (max)	52.6 mm
a (max)	2.1 mm
b (min)	1.4 mm
Dynamic Load Rating	13,200 N
Static Load Rating	8,300 N
Limiting Speed - Grease	13,000 rpm
Limiting Speed - Oil	15,000 rpm
Factor fo	14.8
Radial Clearance	0.005 to 0.020 mm
da (min)	35 mm
Da (max)	50 mm
Dx (min)	61.5 mm
ra (max)	1 mm
Cy (max)	2.9 mm