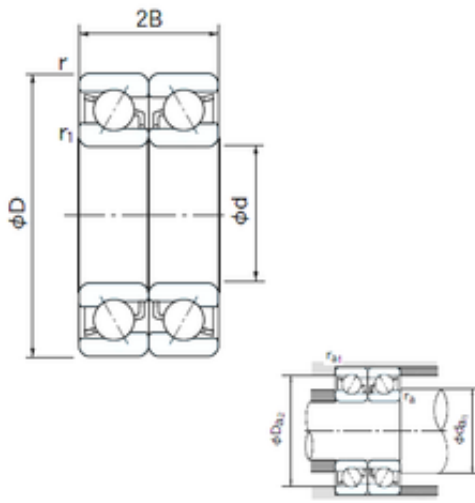




# KRS Guide Wheel Bearing Co., Ltd



7006CDB Bearing 2D drawings and 3D CAD models

## 30 mm x 55 mm x 13 mm NACHI 7006CDB angular contact ball bearings

Bearing No. 7006CDB

Size	30x55x13 mm
Bore Diameter	30 mm
Outer Diameter	55 mm
Width	13 mm
d	30 mm
D	55 mm
B	13 mm
C	13 mm
Angle ( ° )	15 °
a -	1.6 mm
r min.	1 mm
r1 min.	0.6 mm
2B	26 mm
da min.	35 mm
Da max.	52 mm
ra max.	0.6 mm
Weight	0.135 Kg
Basic dynamic load rating (C)	25,9 kN
Basic static load rating (C0)	24 kN
(Grease) Lubrication Speed	15000 r/min
Bore Type	Cylindrical Bore
Enclosure	Open
Configuration	Duplex
Bore Size	30 mm
Outside Diameter	55 mm



## KRS Guide Wheel Bearing Co., Ltd

Width	13 mm
Fillet Radius/Chamfer	1 mm
r1	0.6 mm
Dynamic Load Rating	25,900 N
Static Load Rating	24,000 N
Limiting Speed - Grease	15,000 rpm
Limiting Speed - Oil	21,000 rpm
da1 (min)	35 mm
da2 (min)	35 mm
Da1 (max)	50 mm
Da2 (max)	52 mm
ra (max)	1 mm
ra1 (max)	0.6 mm