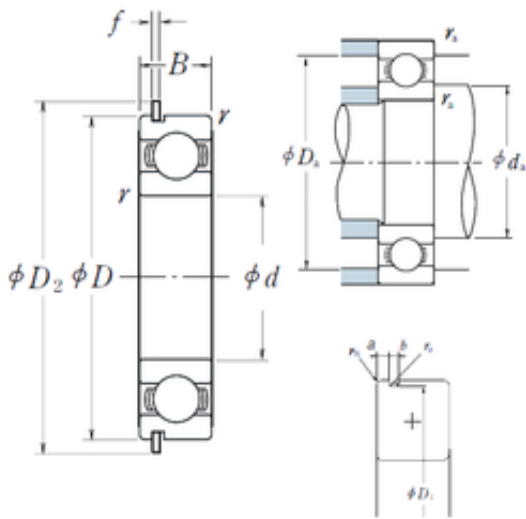




KRS Guide Wheel Bearing Co., Ltd



25 mm x 62 mm x 17 mm NSK 6305NR deep groove ball bearings

Bearing No. 6305NR

6305NR Bearing 2D drawings and 3D CAD models

Size	25x62x17 mm
Bore Diameter	25 mm
Outer Diameter	62 mm
Width	17 mm
d	25 mm
D	62 mm
B	17 mm
C	17 mm
rn	0,5 mm
a	3,28 mm
b	1,9 mm
f	1,7 mm
r min.	1,1 mm
r0 max.	0,6 mm
D1	59,61 mm
D2	67,7 mm
da min.	31,5 mm
da max	36 mm
Da max.	55,5 mm
ra max.	1 mm
Weight	0,235 Kg
Basic dynamic load rating (C)	20,6 kN
Basic static load rating (C0)	11,2 kN
(Grease) Lubrication Speed	11 000 r/min
(Oil) Lubrication Speed	13 000 r/min



KRS Guide Wheel Bearing Co., Ltd

Category	Single Row Ball Bearings
Inventory	0.0
Manufacturer Name	NSK
Minimum Buy Quantity	N/A
Weight / Kilogram	0.23
EAN	0029176016608
Product Group	B00308
Enclosure	Open
Precision Class	ABEC 1 ISO P0
Maximum Capacity / Filling Slot	No
Rolling Element	Ball Bearing
Snap Ring	Yes
Internal Special Features	No
Cage Material	Steel
Internal Clearance	C0-Medium
Inch - Metric	Metric
Long Description	25MM Bore; 62MM Outside Diameter; 17MM Outer Race Diameter; Open; Ball Bearing; ABEC 1 ISO P0; No Filling Slot; Yes Snap Ring; No Internal Special Features
Category	Single Row Ball Bearing
UNSPSC	31171504
Harmonized Tariff Code	8482.10.50.68
Noun	Bearing
Keyword String	Ball
Manufacturer URL	http://www.nskamericas.com
Manufacturer Item Number	6305NR
Weight / LBS	0.232
Outer Race Width	0.669 Inch 17 Millimeter
Bore	0.984 Inch 25 Millimeter



KRS Guide Wheel Bearing Co., Ltd

Outside Diameter	2.441 Inch 62 Millimeter
bore diameter:	25 mm
internal clearance:	C0
outside diameter:	62 mm
dynamic load capacity:	20600 N
overall width:	17 mm
precision rating:	ABEC1, P0
bore type:	Round
finish/coating:	Uncoated
closure type:	Open
cage material:	Steel Cage
row type & fill slot:	Single Row Non-Fill Slot
maximum rpm:	13000 rpm
snap ring included:	With Snap Ring
SRI	5.21
hidYobi	6305NR
LangID	1
ro	0.6
D_	62
SREX	0.05
B_	17
da min	31.5
hidTable	ecat_NSRDGB
Oil rpm	13000
SRE	5.47
Cy	4.6
mass	0.235
GRS rpm	11000
ra	1
SRIX	0.025
D_a	55.5
SRIN	0



KRS Guide Wheel Bearing Co., Ltd

C0	11.2
fo	13.2
SREN	0
DE_	54.819
Prod_Type3	DGBB_SR_NR_OT
DA_	10.319
bomp	0
Z_	8
yobi	6305NR
Dx	68.5
C_conv	20600
ALPHA_	0
SDM_	44.5
r	1.1
KBRG	6101
SBRG	3
DI_	34.181