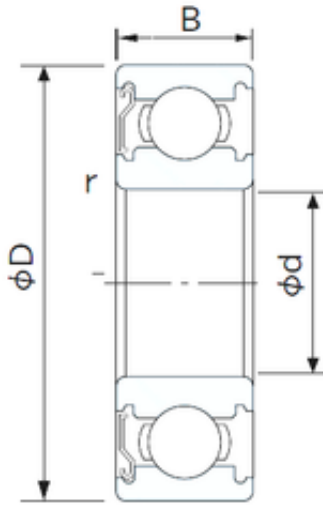




# KRS Guide Wheel Bearing Co., Ltd



25 mm x 62 mm x 17 mm NACHI 6305ZE deep groove ball bearings

Bearing No. 6305ZE

6305ZE Bearing 2D drawings and 3D CAD models

Size	25x62x17 mm
Bore Diameter	25 mm
Outer Diameter	62 mm
Width	17 mm
d	25 mm
D	62 mm
B	17 mm
C	17 mm
r min.	1.1 mm
da min.	32 mm
Da max.	55 mm
ra max.	1.0 mm
Weight	0.232 Kg
Basic dynamic load rating (C)	23,6 kN
Basic static load rating (C0)	12,1 kN
(Grease) Lubrication Speed	11000 r/min
Category	Single Row Ball Bearings
Inventory	0.0
Manufacturer Name	NACHI
Minimum Buy Quantity	N/A
Weight / Kilogram	0
Product Group	B00308
Enclosure	1 Metal Shield
Precision Class	ABEC 1   ISO P0
Maximum Capacity / Filling	No



## KRS Guide Wheel Bearing Co., Ltd

Slot	
Rolling Element	Ball Bearing
Snap Ring	No
Internal Special Features	No
Cage Material	Steel
Internal Clearance	C0-Medium
Inch - Metric	Metric
Long Description	25MM Bore; 62MM Outside Diameter; 17MM Outer Race Width; 1 Metal Shield; Ball Bearing; ABEC 1   ISO P0; No Filling Slot; No Snap Ring; No Internal Special Features; C0-Medium Internal Clearance; Steel
Other Features	Deep Groove
Category	Single Row Ball Bearing
UNSPSC	31171504
Harmonized Tariff Code	8482.10.50.68
Noun	Bearing
Keyword String	Ball
Manufacturer URL	<a href="http://www.nachiamerica.com">http://www.nachiamerica.com</a>
Weight / LBS	0.52
Outer Race Width	0.669 Inch   17 Millimeter
Inner Race Width	0 Inch   0 Millimeter
Outside Diameter	2.441 Inch   62 Millimeter
Bore	0.984 Inch   25 Millimeter