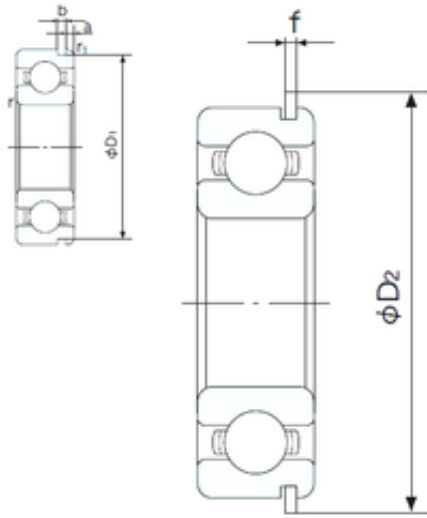




# KRS Guide Wheel Bearing Co., Ltd



## 25 mm x 52 mm x 15 mm NACHI 6205NR deep groove ball bearings

Bearing No. 6205NR

6205NR Bearing 2D drawings and 3D CAD models

Size	25x52x15 mm
Bore Diameter	25 mm
Outer Diameter	52 mm
Width	15 mm
d	25 mm
D	52 mm
B	15 mm
C	15 mm
a	2.46 mm
b	1.35 mm
f	1.12 mm
r min.	1 mm
r1 min.	0.5 mm
D1	49.73 mm
D2	57.9 mm
Weight	0.128 Kg
Basic dynamic load rating (C)	14 kN
Basic static load rating (C0)	7,9 kN
(Grease) Lubrication Speed	12000 r/min
Category	Ball Bearings
Inventory	10.0
Manufacturer Name	NACHI
Minimum Buy Quantity	N/A
UNSPSC	31171504
Weight / Kilogram	0.127



## KRS Guide Wheel Bearing Co., Ltd

EAN	4991893700589
Product Group	B00308
Bore Type	Cylindrical Bore
Configuration	Single Row
Enclosure	Snap Ring Groove with Snap Ring
Bore Size	25 mm
Outside Diameter	52 mm
Width	15 mm
Fillet Radius/Chamfer	1 mm
r1	0.5 mm
Snap Ring Width	1.1 mm
Snap Ring Outside Diameter	57.9 mm
D1 (max)	49.7 mm
a (max)	2.5 mm
b (min)	1.4 mm
Dynamic Load Rating	14,000 N
Static Load Rating	7,900 N
Limiting Speed - Grease	13,000 rpm
Limiting Speed - Oil	16,000 rpm
Factor fo	13.9
Radial Clearance	0.005 to 0.020 mm
da (min)	31 mm
Da (max)	46 mm
Dx (min)	58.5 mm
ra (max)	1 mm
Cy (max)	3.3 mm