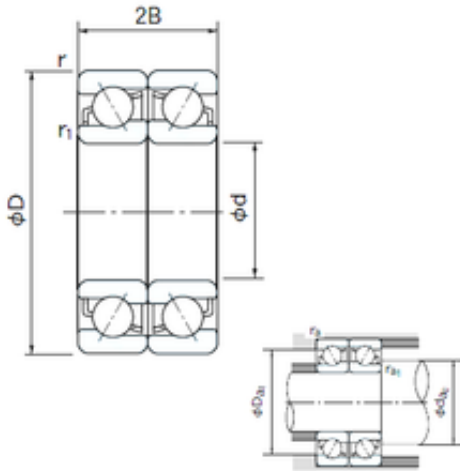




KRS Guide Wheel Bearing Co., Ltd



7205BDF Bearing 2D drawings and 3D CAD models

25 mm x 52 mm x 15 mm NACHI 7205BDF angular contact ball bearings

Bearing No. 7205BDF

Size	25x52x15 mm
Bore Diameter	25 mm
Outer Diameter	52 mm
Width	15 mm
d	25 mm
D	52 mm
B	15 mm
C	15 mm
Angle (°)	40 °
a	8.9 mm
r min.	1 mm
r1 min.	0.6 mm
2B	30 mm
da min.	28 mm
Da max.	48.4 mm
ra max.	0.6 mm
Weight	0.135 Kg
Basic dynamic load rating (C)	24,8 kN
Basic static load rating (C0)	19,4 kN
(Grease) Lubrication Speed	8000 r/min
Bore Type	Cylindrical Bore
Enclosure	Open
Configuration	Duplex
Bore Size	25 mm
Outside Diameter	52 mm



KRS Guide Wheel Bearing Co., Ltd

Width	15 mm
Fillet Radius/Chamfer	1 mm
r1	0.6 mm
Dynamic Load Rating	24,800 N
Static Load Rating	19,400 N
Limiting Speed - Grease	8,000 rpm
Limiting Speed - Oil	11,000 rpm
da1 (min)	31 mm
da2 (min)	28 mm
Da1 (max)	46 mm
Da2 (max)	48.4 mm
ra (max)	1 mm
ra1 (max)	0.6 mm