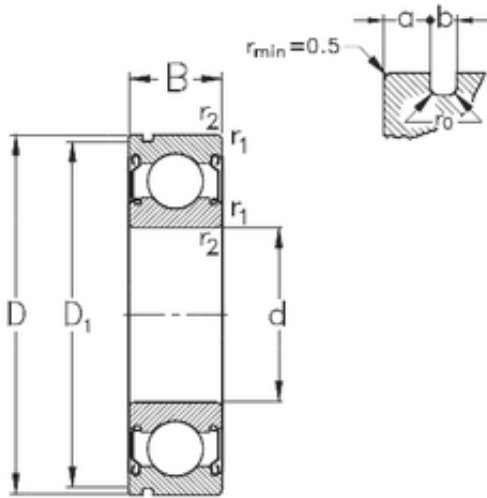




# KRS Guide Wheel Bearing Co., Ltd



25 mm x 52 mm x 15 mm NKE 6205-2Z-N deep groove ball bearings

Bearing No. 6205-2Z-N

Size	25x52x15 mm
Bore Diameter	25 mm
Outer Diameter	52 mm
Width	15 mm
d	25 mm
D	52 mm
B	15 mm
C	15 mm
a	2,46 mm
b	1,35 mm
f	1,12 mm
r1 min.	1 mm
r2 min.	1 mm
D1	49,73 mm
D2	57,9 mm
Weight	0,125 Kg
Basic dynamic load rating (C)	14 kN
Basic static load rating (C0)	7,9 kN

6205-2Z-N Bearing 2D drawings and 3D CAD models