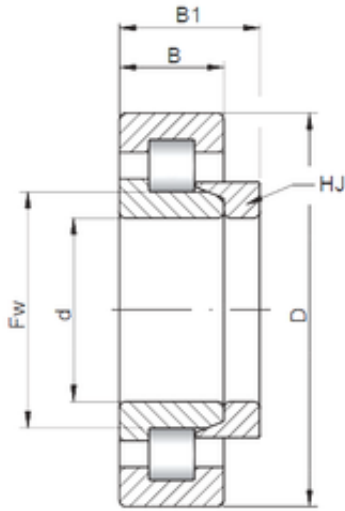




KRS Guide Wheel Bearing Co., Ltd



25 mm x 52 mm x 15 mm Loyal NH205 E cylindrical roller bearings

Bearing No. NH205 E

Size	25x52x15 mm
Bore Diameter	25 mm
Outer Diameter	52 mm
Width	15 mm
d	25 mm
Fw	32 mm
D	52 mm
B	15 mm
C	15 mm
B1	3 mm
B2	6 mm
Weight	0,152 Kg
Basic dynamic load rating (C)	29,3 kN
Basic static load rating (C0)	27,7 kN
(Grease) Lubrication Speed	13000 r/min

NH205 E Bearing 2D drawings and 3D CAD models