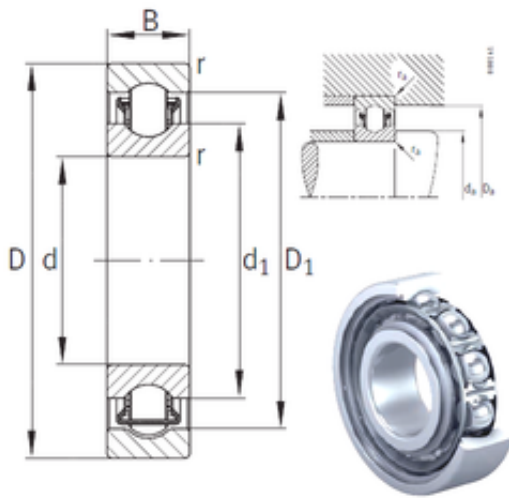




KRS Guide Wheel Bearing Co., Ltd



BXRE205 Bearing 2D drawings and 3D CAD models

25 mm x 52 mm x 15 mm INA BXRE205 needle roller bearings

Bearing No. BXRE205

Size	25x52x15 mm
Bore Diameter	25 mm
Outer Diameter	52 mm
Width	15 mm
d	25 mm
D	52 mm
B	15 mm
C	15 mm
d1	34,4 mm
r min.	1 mm
D1	43,9 mm
da min.	30,6 mm
Da max.	46,4 mm
ra max.	1 mm
Weight	0,138 Kg
Basic dynamic load rating (C)	21,8 kN
Basic static load rating (C0)	13,9 kN
Fatigue load limit (Pu)	700
Reference speed	10 400 r/min