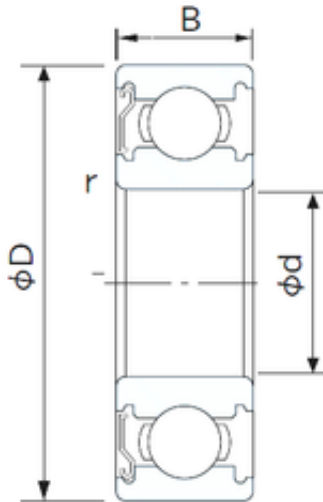




# KRS Guide Wheel Bearing Co., Ltd



25 mm x 52 mm x 15 mm CYSD 6205-Z deep groove ball bearings

Bearing No. 6205-Z

Size	25x52x15 mm
Bore Diameter	25 mm
Outer Diameter	52 mm
Width	15 mm
d	25 mm
D	52 mm
B	15 mm
C	15 mm
r min.	1 mm
Weight	0,12 Kg
Basic dynamic load rating (C)	14 kN
Basic static load rating (C0)	7,88 kN
(Grease) Lubrication Speed	12000 r/min

6205-Z Bearing 2D drawings and 3D CAD models