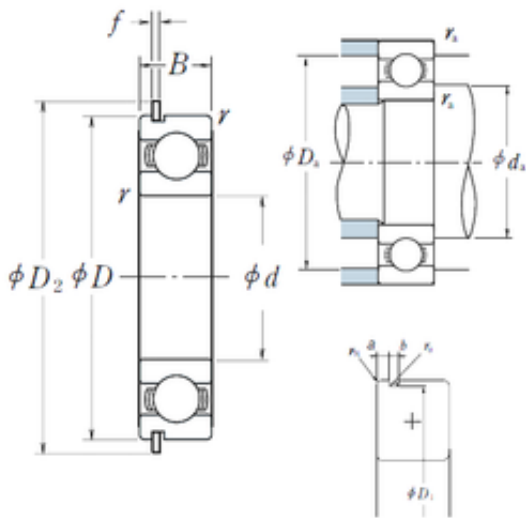




# KRS Guide Wheel Bearing Co., Ltd



## 25 mm x 52 mm x 15 mm NSK 6205NR deep groove ball bearings

Bearing No. 6205NR

6205NR Bearing 2D drawings and 3D CAD models

Size	25x52x15 mm
Bore Diameter	25 mm
Outer Diameter	52 mm
Width	15 mm
d	25 mm
D	52 mm
B	15 mm
C	15 mm
rn	0,5 mm
a	2,46 mm
b	1,35 mm
f	1,12 mm
r min.	1 mm
r0 max.	0,4 mm
D1	49,73 mm
D2	57,9 mm
da min.	30 mm
da max	32 mm
Da max.	47 mm
ra max.	1 mm
Weight	0,129 Kg
Basic dynamic load rating (C)	14 kN
Basic static load rating (C0)	7,85 kN
(Grease) Lubrication Speed	13 000 r/min
(Oil) Lubrication Speed	15 000 r/min



## KRS Guide Wheel Bearing Co., Ltd

Category	Single Row Ball Bearings
Inventory	5.0
Manufacturer Name	NSK
Minimum Buy Quantity	N/A
Weight / Kilogram	0.13
EAN	0029176034602
Product Group	B00308
Enclosure	Open
Precision Class	ABEC 1   ISO P0
Maximum Capacity / Filling Slot	No
Rolling Element	Ball Bearing
Snap Ring	Yes
Internal Special Features	No
Cage Material	Steel
Internal Clearance	C0-Medium
Inch - Metric	Metric
Long Description	25MM Bore; 52MM Outside Diameter; 15MM Outer Race Diameter; Open; Ball Bearing; ABEC 1   ISO P0; No Filling Slot; Yes Snap Ring; No Internal Special Features
Category	Single Row Ball Bearing
UNSPSC	31171504
Harmonized Tariff Code	8482.10.50.68
Noun	Bearing
Keyword String	Ball
Manufacturer URL	<a href="http://www.nskamericas.com">http://www.nskamericas.com</a>
Weight / LBS	0.287
Outside Diameter	2.047 Inch   52 Millimeter
Bore	0.984 Inch   25 Millimeter
Outer Race Width	0.591 Inch   15 Millimeter



## KRS Guide Wheel Bearing Co., Ltd

SRI	4.01
hidYobi	6205NR
LangID	1
ro	0.4
D_	52
SREX	0.04
B_	15
da min	30
hidTable	ecat_NSRDGB
Oil rpm	15000
SRE	4.21
Cy	3.3
mass	0.129
GRS rpm	13000
ra	1
SRIX	0.02
D_a	47
SRIN	0
C0	7.85
fo	13.9
SREN	0
DE_	46.938
Prod_Type3	DGBB_SR_NR_OT
DA_	7.938
bomp	0
Z_	9
yobi	6205NR
Dx	58.5
C_conv	14000
ALPHA_	0
SDM_	39
r	1



## KRS Guide Wheel Bearing Co., Ltd

KBRG	6101
SBRG	2
DI_	31.062