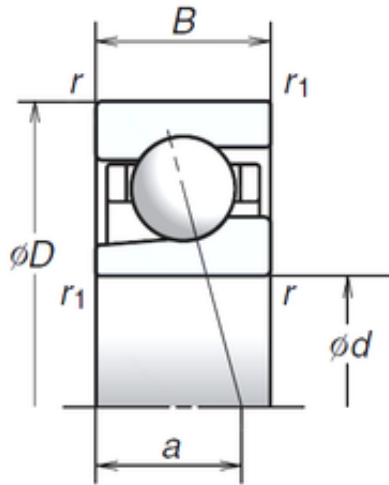




KRS Guide Wheel Bearing Co., Ltd



25 mm x 52 mm x 15 mm NSK 25BGR02H
angular contact ball bearings

Bearing No. 25BGR02H

Size	25x52x15 mm
Bore Diameter	25 mm
Outer Diameter	52 mm
Width	15 mm
d	25 mm
D	52 mm
B	15 mm
C	15 mm
Angle ()	15 °
a	12,7 mm
r min.	1 mm
r1 min.	0,6 mm
Weight	0,112 Kg
Basic dynamic load rating (C)	11,1 kN
Basic static load rating (C0)	5,2 kN
(Grease) Lubrication Speed	49 400 r/min
(Oil) Lubrication Speed	72 800 r/min

25BGR02H Bearing 2D drawings and 3D CAD models