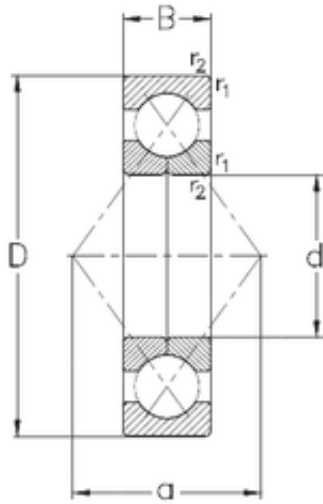




KRS Guide Wheel Bearing Co., Ltd



25 mm x 52 mm x 15 mm NKE QJ205-MPA
angular contact ball bearings

Bearing No. QJ205-MPA

Size	25x52x15 mm
Bore Diameter	25 mm
Outer Diameter	52 mm
Width	15 mm
d	25 mm
D	52 mm
B	15 mm
C	15 mm
a	27 mm
r1 min.	1 mm
r2 min.	1 mm
Weight	0,17 Kg
Basic dynamic load rating (C)	25,3 kN
Basic static load rating (C0)	19,8 kN

QJ205-MPA Bearing 2D drawings and 3D CAD models