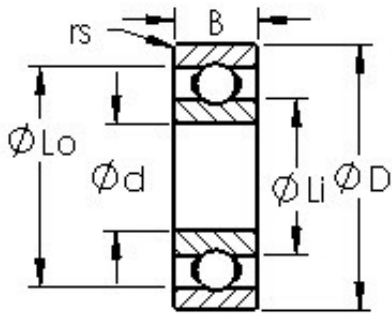




KRS Guide Wheel Bearing Co., Ltd



AST 6205 deep groove ball bearings

Bearing No. 6205

Size	25x52x15 mm
Bore Diameter	25 mm
Outer Diameter	52 mm
Width	15 mm
Bearing Type	Open
Bore Dia (d)	25.0000
Outer Dia (D)	52.0000
Width (B)	15.0000
Radius (min) (rs)	1.000
Dynamic Load Rating (Cr)	14,000
Static Load Rating (Cor)	7,850
Max Speed (Grease) (X1000 RPM)	13
Max Speed (Oil) (X1000 RPM)	15
Max. Shaft Shoulder Dia. Inner (Li)	34.0
Min. Housing Shoulder Dia., Outer (Lo)	44.2
Ball Qty	9
Ball Dia (Dw)	7.9380
Weight (g)	128.00
Precision	A1
Standard Clearance	C0
Material	52100 Chrome Steel or equivalent

6205 Bearing 2D drawings and 3D CAD models